

Depth Control, Taken to a New Level.

Our consolidated line of redesigned gauge wheels featuring “tab and slot” construction give you a lighter, even more durable product with clearer choices for your application.

- **Tabs and Slots:** Interlocking, welded pieces guarantee the integrity of the whole. Locks plates together against pull- and push-forces.
- **AR400 Steel Plate:** This high strength and rigid steel alloy gives you twice the strength and wear of mild steel. Stronger and lighter in an era when reliability and lift capacities are critical.
- **Easier to Choose:** The Gauge Wheels you need in a simple configuration package. Select by tool bar/bracket type and arm length according to height requirements.

Standard mountings fit 4 x 4”, 4 x 7”, 7 x 4”, and 7 x 7” tool bars. Packages come as singles or duals, with wide (9.5L x 15–8 ply) tires.

Standard Features:

- Mount bracket is made from sturdy 1/2” AR400 plate steel, wraps almost completely around the tool bar.
- Shank is constructed from 4x4x1/4” steel tubing.
- Hub, Spindle and wheel assembly is rated at 3500 Lbs. capacity, singles, and 7000 Lbs., duals.
- Screw jack uses 1-1/4” Acme thread screws.
- New “Tab and Slot” assembly beefs up structural integrity.
- New Spindle is bolted in, not welded. No left- or right-hand assemblies, no torching to get an old spindle out, no welding to replace a spindle.
- New “High Clearance” version accomodates increased tool length applications. Tire raises 6” higher, bracket lower clearance is 5” higher, allowing tool bar to be positioned closer to the ground.



Gauge Wheel Selector			
Bar/Bracket	24” Arm/Single	30” Arm/Single	24” Arm/Double
4x4” Tall	855-455	855-450	855-446
4x7” Tall	855-475	855-480	855-476
7x4” Tall	855-745	855-740	855-746
7x7” Tall	855-775	855-780	855-776
7x7” High-Clearance	855-782	855-781	

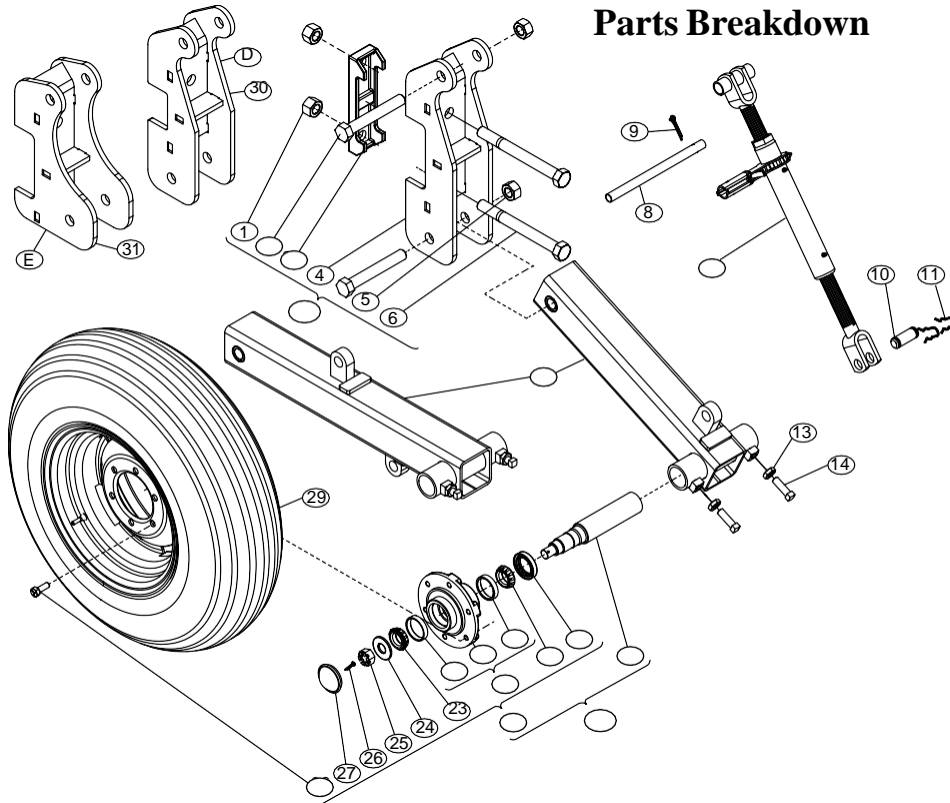
All Gauge Wheels shown in pairs. High Clearance models include high-clearance bracket for increased bar height applications. All units are priced unassembled, FOB Lubbock, Texas.



Lubbock, Texas (800) 692-4449
 Carlisle, Arkansas (870) 552-7517
www.BighamAg.com

Gauge Wheels

Parts Breakdown



**Gauge Wheel
Assemblies
Model Years
2014-Current**

855-445 4x4 24" Single
855-450 4x4 30" Single
855-446 4x4 24" Dual
855-475 4x7 24" Single
855-480 4x7 30" Single
855-476 4x7 24" Dual
855-745 7x4 24" Single
855-740 7x4 30" Single
855-746 7x4 24" Dual
855-775 7x7 24" Single
855-780 7x7 30" Single
855-776 7x7 24" Dual
855-782 7x7 24" Hi-Clearance
855-781 7x7 30" Hi-Clearance

Ref.	P/N	Description	Qty Req.	Per Assy.	Ref.	P/N	Description	Qty Req.	Per Assy.
A.	805-177	Mount Assembly, 7x7" (Shown)	2		17.	627-158	Hub, 6 Hole Q888 (Bigham)		2
	805-178	Mount Assembly, 7x4"	2		18.	622-006	Cup, #LM67010 (67048 Bearing)		4
	1.	611-1601Z Nut, Hex ZP 1"	4		19.	627-264	Spindle, G.W. Q888 Hub (11-1/12")		2
	2.	602-1626Z Bolt, HCS 1"x6-1/2" (GR5) ZP	4		20.	627-160	Hub Assembly, G.W. 6 Hole HD Q888		2
	3.	628-308 Cap, 7" 1" Bolt Holes	2		21.	623-002	Seal, 16289 (HD Gauge Wheel)		2
	4.	705-063 Bracket, Gauge Wheel 7" Vertical	2		22.	622-009	Bearing, Taper (69349)		2
	5.	613-1600Z Nut, Hex Nylock ZP 1"	4		23.	622-007	Bearing, Taper (LM67048)		2
	6.	601-1640Z Bolt, HCS 1"x10" (GR2) ZP	4		24.	616-1400	Bushing, Mach 2.25"ODx.935"IDx.165		2
		601-1628Z Bolt, HCS 1"x7" (GR2) ZP	4		25.	614-1407	Nut, Hex Slotted 7/8" (NF)		2
	7.	705-083 Crank, Gauge Wheel (XHD)	2		26.	617-020	Pin, Cotter 5/32x1-1/2"		2
	8.	617-110 Tube, 7/8x12" (G.W. Jack Handle)	2		27.	627-560	Dust Cap 6 Hole HD (Q888)		2
	9.	617-026 Pin, Cotter 1/4x2"	2		28.	607-0805P	Bolt, Lug 1/2x1-1/14 (13/16 HD)		12
	10.	617-160 Pin, Clevis ZP 1/2" 1" I.D. (G.W.)	2		29.	705-002	Wheel and Tire, 6 Hole 9.5Lx15		*2
	11.	617-107 Hairpin, 3/16x2" 1" I.D. (G.W.)	4		D.	805-144	Mount Assembly, 4x4"		
B.	705-029	Shank/Sleeve, Univ. Gauge Wheel (24")	2			805-147	Mount Assembly, 4x7"		
	760-700	Shank/Sleeve, Univ. Gauge Wheel (30")	2		6.	601-1628Z Bolt, HCS 1"x7" (GR2) ZP			4
	13.	614-1001Z Nut, Hex Jam 5/8" ZP	4			601-1640Z Bolt, HCS 1"x10" (GR2) ZP			4
	14.	606-1006Z Set Screw, Square Head ZP 5/8X1-1/2"	4		30.	705-060	Bracket, Gauge Wheel 4" Vertical		2
C.	627-161	Hub and Spindle Assembly	*2		E.	Bracket, Gauge Wheel, 7" High Clearance			
	15.627-159	Hub/Cups 6 Hole Q888 2805510	2		31.	705-064	Bracket, G.W. 7" Vertical Hi-Clearance		2
	16.	622-008 Cup, #JL69310 (69349 Bearing)	4						

* Double quantities of C and 29 for duals.