

Cultivator Shanks

Bigham offers a wide selection of cultivator shanks to suit virtually any need. High quality cultivator shanks are built for long service in the field.

Standard Features:

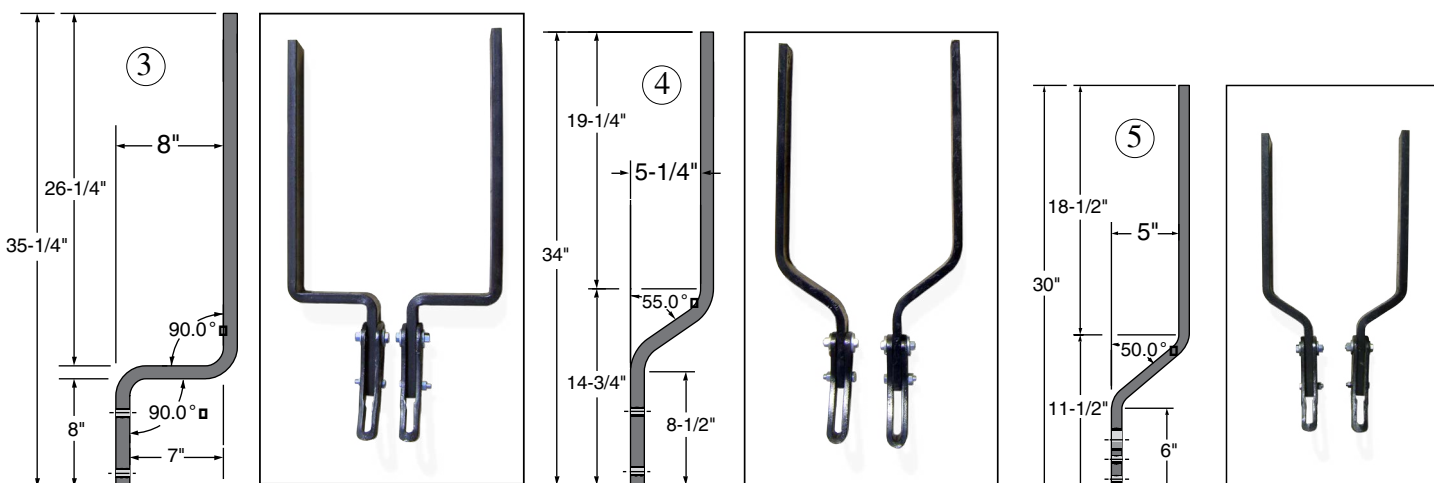
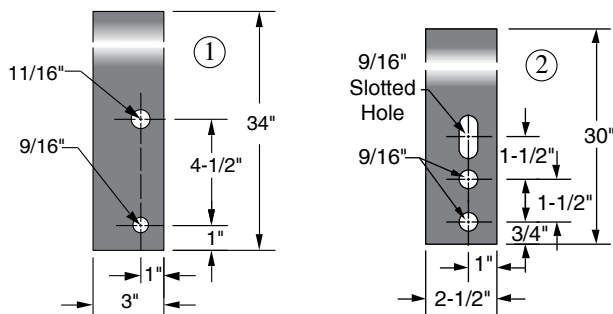
- Straight shanks, side offset shanks, and rear offset shanks are available in two sizes. (1 x 3" and 3/4 x 2-1/2")
- Shanks are cut from H-5160 Alloy material, giving our shanks approximately 30% more yield strength than shanks constructed from C-1080 steel. H-5160 is the same material that the leaf springs on your pick-up are made from.
- Durable ductile foot piece features a trip out mechanism to avoid unnecessary damage. Sweep mount is uniform.
- Bigham No-Twist™ Foot Piece holds our Bigham Hi-Wing Buster rock steady on a variety of 1x3" shanks *without* a buster block.
- All bolts are zinc plated for rust prevention.



Straight Shank Assemblies			
P/N	Shank Size	Ship Wt.	
1. 705-300	1 x 3 x 34"	38 lbs.	
705-300N	(No Twist™ Foot Piece)		
2. 705-200	3/4x2-1/2x30"	20 lbs.	

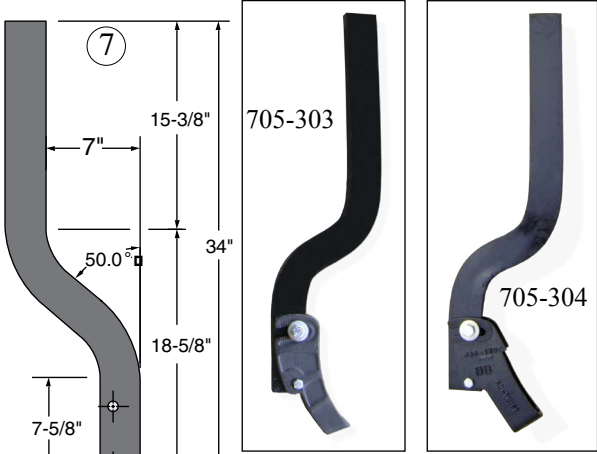
705-300N 1x3" Shank shown at right features the Bigham No-Twist™ Foot Piece.

Side Offset Shank Assemblies					
P/N	Shank Size	Offset	Side	Ship Wt.	
3. 705-308	1 x 3"	8"	LH	40 lbs.	
705-309	1 x 3"	8"	RH	40 lbs.	
4. 705-301	1 x 3"	5"	LH	40 lbs.	
705-302	1 x 3"	5"	RH	40 lbs.	
5. 705-201	3/4x2-1/2"	4"	LH	21 lbs.	
705-202	3/4x2-1/2"	4"	RH	21 lbs.	



Lubbock, Texas (800) 692-4449
 Carlisle, Arkansas (870) 552-7517
www.BighamAg.com

Cultivator Shanks



Bigham No-Twist™ Foot Piece

Rear Offset Shank Assemblies			
P/N	Shank Size	Ship Wt.	
7. 705-303	1 x 3 x 34"	42 lbs.	
705-304	(W/No-Twist™ Foot Piece)		

Bigham No-Twist Foot Piece is notched to hold our Bigham High-Wing Buster steady, without a buster block. The busters are precision ground to fit this notch for a tight, solid fit.



Sweeps on 1x3" Shanks.



Eight Inch Side Offset Shanks on Extended Clamps



Rear Offset 1x3" Shanks with No-Twist™ Foot Piece and Hi-Wing Busters



Rear Mounted 1x3" Shanks with Standard Foot Pieces

Bigham offers a wide selection of shanks. Please call for custom order information.

**BIGHAM • 705 E. SLATON ROAD • P.O. BOX 3338 • LUBBOCK, TX 79452 • (806) 745-0384
1220 EAST DURKEE STREET • CARLISLE, AR 72024 • (870) 552-7517**