

# MegaTill HD

B-161



MegaTill HD with listers, knife plates, and 1x3" inter-row rippers.

The MegaTill HD Sub-Soiler breaks up hardpan and compaction to provide a healthy subsoil environment.

High clearance Heavy Duty shanks penetrate beds to the depths you want to plow. Durable construction similar in design to our Paratill® Leg design gives long life in heavy and hard soils. A replaceable chromium carbide shin on the front of the shank reduces shank wear. The front portion of the reversible shin is

sharpened to reduce drag and field clodding. Exclusive design and fit of the point and shin maintain a sleek subsoil profile.

Arrange shanks to loosen an area in the *middle of each crop bed*, providing a prepared area for crop root growth. Attach optional knives to undercut each bed. Kill and uproot crop stalks in one pass. Cut deep rooted weeds at a depth to allow your young crop a head start into the growing season.

**MegaTill HD Sub-Soilers** are equipped with a heavy diamond mast frame to allow coulter and shank placement at virtually any row spacing. Category III 4" drop hitch provides ground clearance for long shanks. Even numbers of spring loaded swivel coulters and 36" shanks with double bar reinforced clamp packages are included with all standard MegaTill Sub-Soilers to accommodate *top of bed placement*.

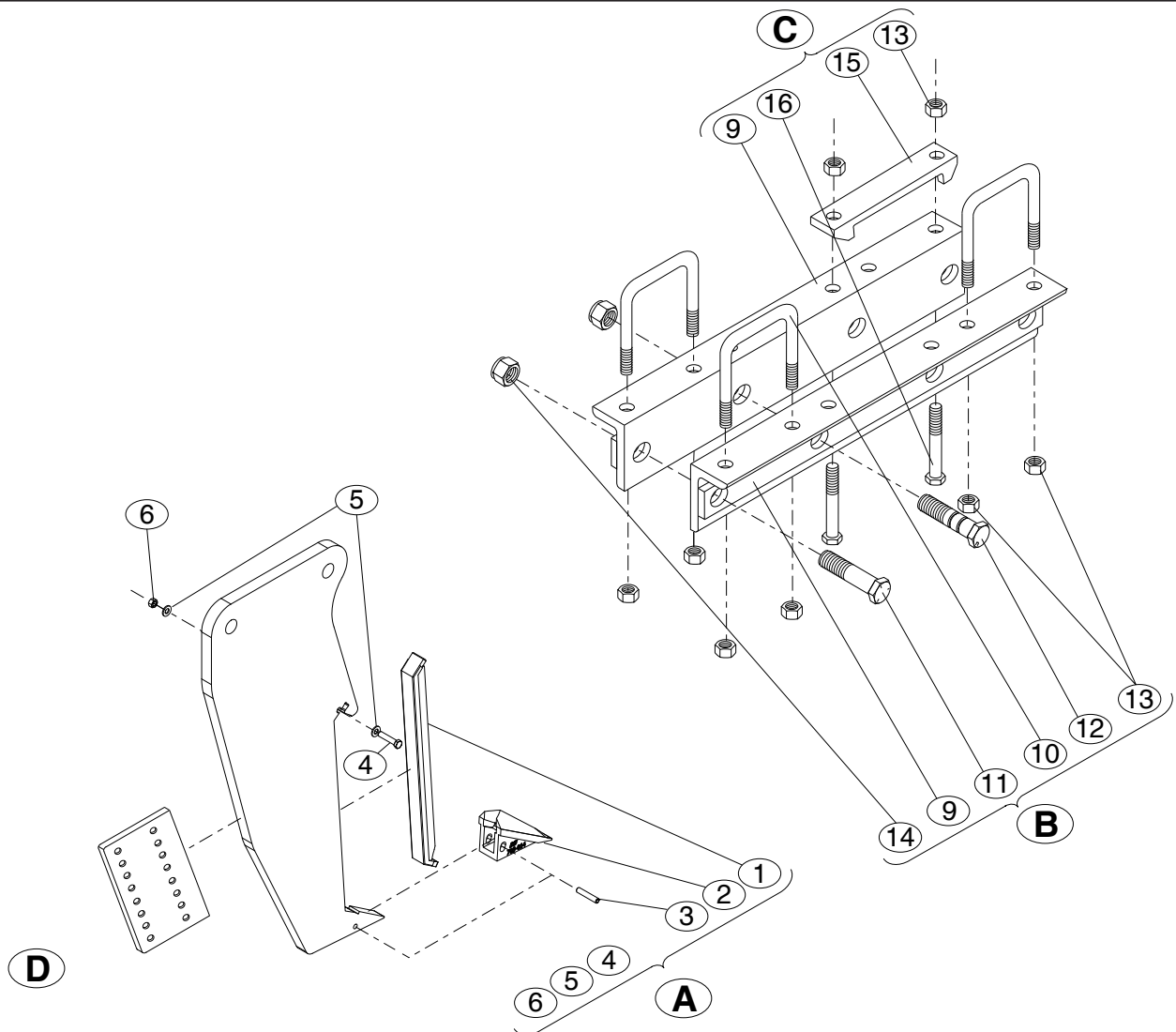
P/N	Description	Approx Ship Weight
906-846	MEGATILL HD, 6 SHANK WITH COULTERS	4200 Lbs.

Order corresponding numbers of bedders, coulters and inter-row rippers, if necessary. Specify tool bar type and length. Lister bottoms and inter-row ripper shanks and clamps optional. All units are priced unassembled, F.O.B. Lubbock, Texas.



Lubbock, Texas (800) 692-4449  
Carlisle, Arkansas (870) 552-7517  
[www.BighamAg.com](http://www.BighamAg.com)

# MegaTill HD Leg Specifications and Parts Breakdown



REF#	PART#	DESCRIPTION	QTY. REQ. PER ASSY.	REF#	PART#	DESCRIPTION	QTY. REQ. PER ASSY.
<b>A.</b>	<b>709-017</b>	<b>LEG ASSY., MEGATILL HD H.C. 36"</b>	-	10.	610-0035	U-BOLT, 7/8" FOR 4 x 4 BAR GR5	2/4
1.	709-015	SHIN, CHROMIUM CARBIDE	1	11.	602-1822Z	BOLT, HCS ZP GR5 1-1/8 x 5-1/2"	1
2.	709-014	POINT, RIPPER CHROMIUM CARBIDE	1	12.	610-1822Z	SHEAR BOLT, ZP 1-1/8 x 5-1/2"	1
3.	617-052	PIN, ROLL 3/8"X2"	1	13.	611-1401Z	NUT, HEX ZP 7/8"	8
4.	602-0607Z	BOLT, HCS 3/8"X1-3/4" (GR5) ZP	1	14.	613-1800Z	NUT, HEX LOCK ZP 1-1/8"	2
5.	616-0600Z	WASHER, FLAT ZP 3/8"	2	<b>C.</b>	<b>806-087</b>	<b>CLAMP ASSY; 2 BAR 4" &amp; 7" SHEAR BOLT</b>	-
6.	613-0600Z	NUT, HEX NYLOCK ZP 3/8"	1	15.	628-308	CAP, CAST 7" BAR	2
8.	681-015	PIN, ROLL 8 x 60MM	1	16.	602-1426Z	BOLT, HCS ZP GR5 7/8 x 6-1/2"	4
<b>B.</b>	<b>806-081</b>	<b>CLAMP ASSY; 2 BAR 25" SHEAR BOLT</b>	-	<b>D.</b>	<b>310-111</b>	<b>KNIFE PLATE</b>	-
9.	636-960	CLAMP ANGLE, 2 BAR 25"	2				

**NOTE: HORSEPOWER REQUIREMENTS ARE 20-35 HP PER LEG DEPENDING ON SOIL TYPE, CONDITION AND OPERATING DEPTH.**

**BIGHAM • 705 E. SLATON ROAD • P.O. BOX 3338 • LUBBOCK, TX 79452 • (806) 745-0384  
1220 EAST DURKEE STREET • CARLISLE, AR 72024 • (870) 552-7517**