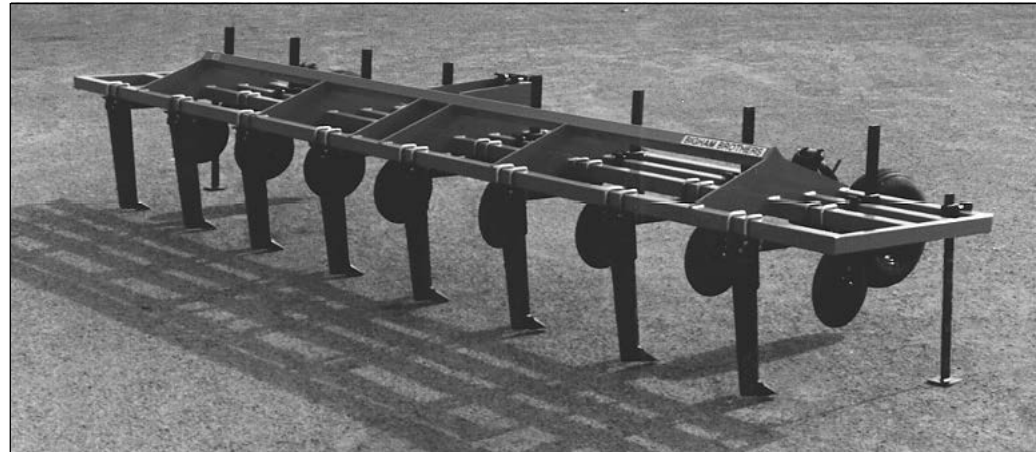


- MegaTill Sub-Soilers include diamond mast four bar frame with 4x4x3/8" tube on the front bar. MegaTill Inter-Row Sub-Soilers include diamond mast double bar frame. Tool bars for 7 and 9 row MegaTill Inter-Row Sub-Soilers include tool bars with a Heavy Duty Option. Heavy Category III Wide 4" Drop Hitch is standard on all models.



MegaTill Sub-Soiler (Four Lower Frame Tubes)

- 1 x 8 x 36" Shank is constructed from high strength Formally 400 steel to resist stress, bending and abrasion even under harsh field conditions. The front portion of each shank is protected with a replaceable chromium carbide wear shin. The shin has a pointed front edge to reduce drag and may be rotated for extended wear. Thirty six inch ground clearance is valuable to obtain optimum plowing depths and provide growing crop clearance. Shanks are also equipped with a chromium carbide point. Chromium material on ground engaging parts can provide up to four times the wear of traditional hardfaced points. All shanks are drilled to accept root cutting knives.
- Double bar reinforced clamps spread the shank load and stress between two frame members. Shank may be mounted in the front or back position of each clamp. Shear bolts provide protection if an underground obstruction is encountered.
- MegaTill Sub-Soiler features Spring Loaded Swivel Coulters with 20" fluted blades. Coulters provide up to 1200 pounds of residue slicing pressure per coulters blade. (See page C-19).

**Optional Equipment**

- 30" MegaTill Shanks
- Gauge Wheels (See page C-1)
- Root Cutting Knives (See page D-15)

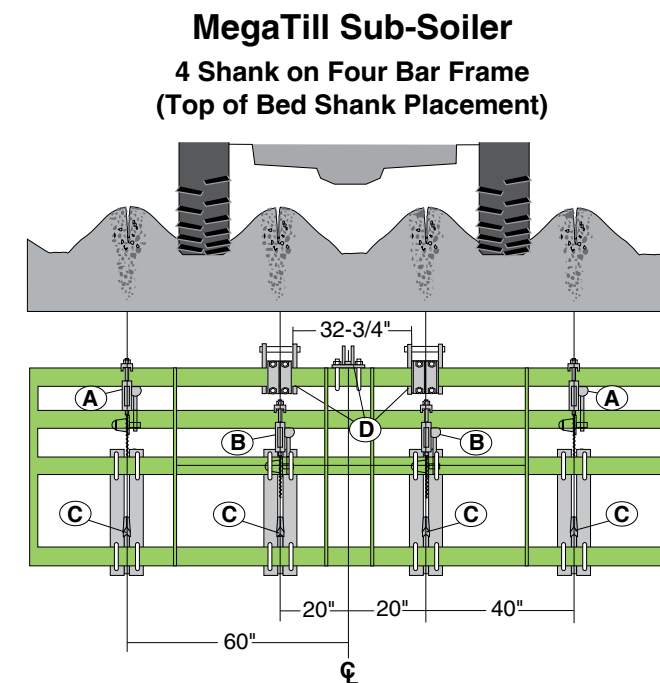
MegaTill Shank is equipped with optional root cutting knives. Field Picture to the right illustrates destruction and removal of cotton stalks after harvest.



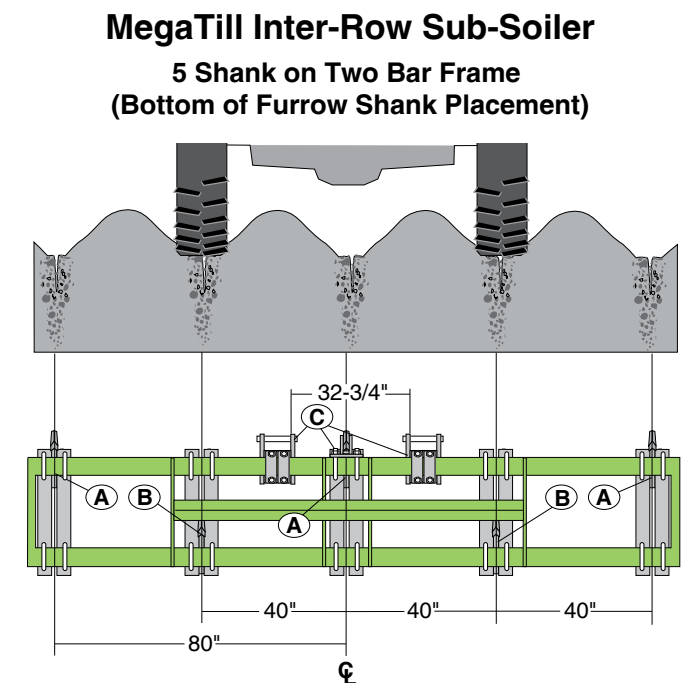
**MegaTill Sub-Soiler (Four Bar Frame)**

P/N	Description	Quantity of Shanks	Quantity of Coulters	Usable Frame Length	Approx. Ship Weight
906-804	MegaTill Sub-Soiler	4	4	14'6"	2475 Lbs.
906-806	MegaTill Sub-Soiler	6	6	20'8"	3513 Lbs.
906-808	MegaTill Sub-Soiler	8	8	27'6"	4373 Lbs.
809-058	Shank (30"), Clamp and Coulters Package				220 Lbs.

MegaTill Sub-Soilers Include: Tool Bar (Four Bar Superbar II with 3/8" front bar), Hitch Assy. (Category III/4" Drop), corresponding quantities of 30" shank with shear bolt mounting assembly and spring loaded coulters. Add one shank, clamp and coulters package per plow for inter-row applications and corresponding quantities of shank, clamp and coulters packages for 20" spacing. Standard equipment is designed for 40" rows, please specify if an alternative row space is required. Gauge wheels are pictured above, but not included. All units are priced unassembled, F.O.B. Lubbock, Texas.



- A-Spring Loaded Coulters Assy. (Front Bar)
- B-Spring Loaded Coulters Assy. (Second Bar)
- C-Double Bar Clamp with Shank Mounted under Back Bar
- D-Three Point Hitch Assy. (4" Drop/Category III)



- A-Double Bar Clamp with Shank Mounted under Front Bar
- B-Double Bar Clamp with Shank Mounted under Back Bar
- C-Three Point Hitch Assembly (4" Drop/Category III)

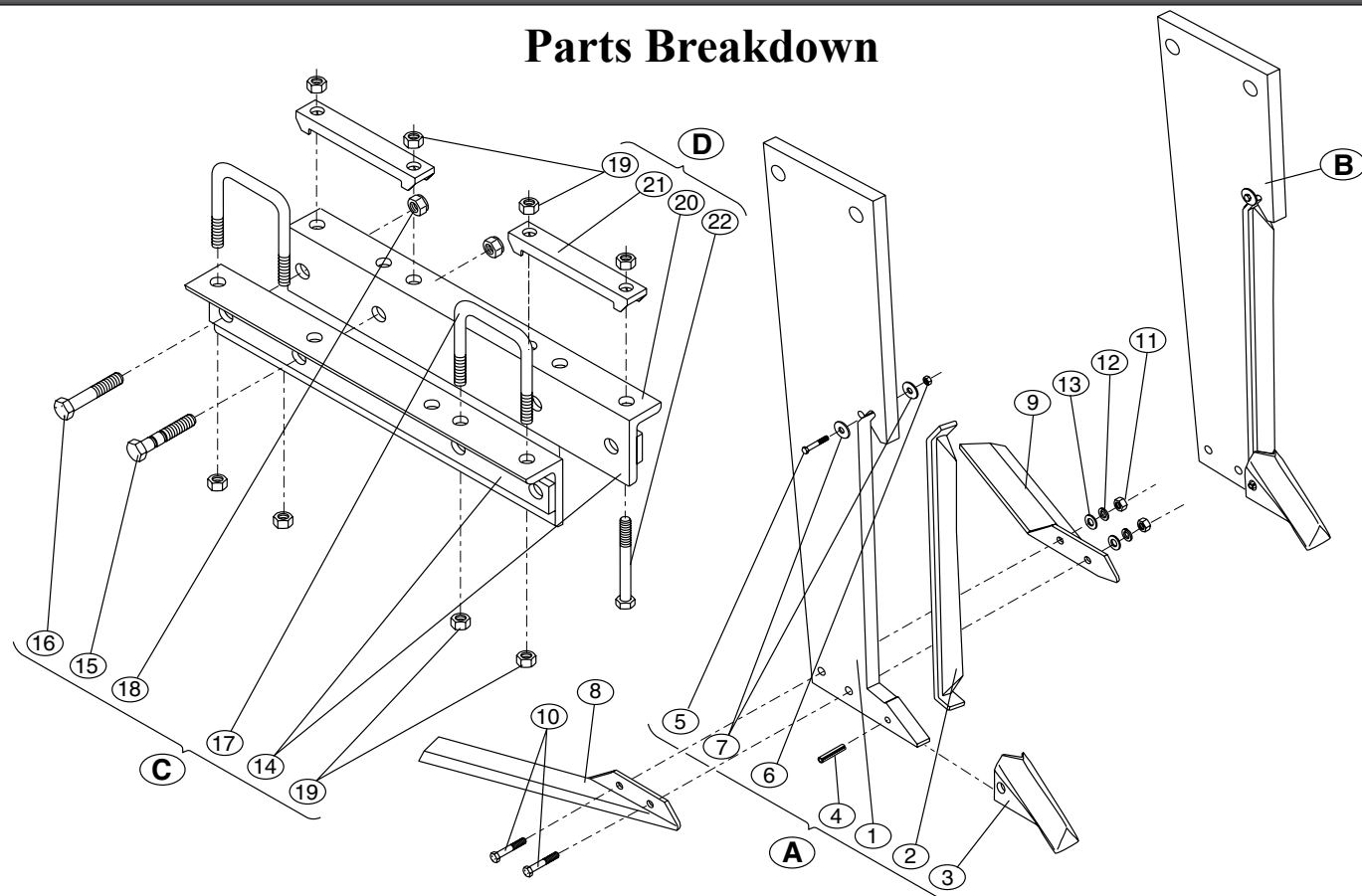
**MegaTill Inter-Row Sub-Soiler**

P/N	Description	Quantity of Shanks	Usable Frame Length	Tool Bar Lower Frame	Approx. Ship Weight
906-905	MegaTill Inter-Row Sub-Soiler	5	14'6"	Double 4x4	1655 Lbs.
906-907	MegaTill Inter-Row Sub-Soiler	7	20'8"	Double 4x4	2225 Lbs.
906-909	MegaTill Inter-Row Sub-Soiler	9	27'6"	Double 4x4	2610 Lbs.
906-975	MegaTill Inter-Row Sub-Soiler	5	14'6"	Double 4x7	1855 Lbs.
906-977	MegaTill Inter-Row Sub-Soiler	7	20'8"	Double 4x7	2835 Lbs.
906-979	MegaTill Inter-Row Sub-Soiler	9	27'6"	Double 4x7	3765 Lbs.
809-075	Shank (36") and Clamp Assy., MegaTill (Double 4x4 Bar)				135 Lbs.
809-077	Shank (36") and Clamp Assy., MegaTill (Double 4x7 Bar)				150 Lbs.

MegaTill Inter-Row Sub-Soilers include: Tool Bar (double bar 4x4 Superbar II with H.D. options for 7 & 9 shank units or double bar 4x7 Superbar II as indicated), Hitch Assy. (Category III/4" Drop) and corresponding quantities of shank with shear bolt mounting assy. Add corresponding quantities of 36" shank with clamp assembly as required. Spacing of clamp assemblies on 20" centers may interfere with hitch spacing on standard double tool bar for top of bed shank placement. Standard equipment is designed for 40" rows, please specify if an alternative row space is required. Gauge wheels are pictured on page B-11 but not included. All units are priced unassembled, F.O.B. Lubbock, Texas.



Parts Breakdown



REF.#	PART #	DESCRIPTION	QTY. REQ.	ASSY. (*OPTIONAL)	REF.#	PART #	DESCRIPTION	QTY. REQ.	ASSY. (*OPTIONAL)
<b>A.</b>	<b>709-009</b>	<b>SHANK, MEGATILL 36" POINT/SHIN</b>			<b>D.</b>	<b>806-057</b>	<b>CLAMP ASSY, 4x7 FRT./BACK REINF.</b>		
1.	380-709	SHANK, MEGATILL 36" (BARE)	1		20.	636-956	CLAMP SIDE, 2 BAR 4x7 REINF.	2	
2.	709-015	SHIN, CHROM. CARB. 1-1/8 x 16-1/2"	1		21.	628-308	CAP, 7" BAR 1" BOLT HOLE (CAST)	4	
3.	709-014	POINT, RIPPER CHROMIUM CARBIDE	1		22.	601-1426Z	BOLT, HCS ZP 7/8 x 6-1/2"	8	
4.	617-052	ROLL PIN, ZP 3/8 x 2"	1				<b>TOOL BARS</b>		
5.	602-0607Z	BOLT, HCS ZP GR5 3/8 x 1-3/4"	1		700-055	SUPERBAR II, 5 ROW 2 BAR 25"			
6.	613-0600Z	NUT, HEX NYLOCK ZP 3/8"	1		700-075HD	SUPERBAR II, 7 ROW 2 BAR 25" W/H.D. OPT.			
7.	616-0600Z	WSHR, FLAT ZP 3/8"	2		700-095HD	SUPERBAR II, 9 ROW 2 BAR 25" W/H.D. OPT.			
		<b>KNIVES (OPTIONAL EQUIPMENT)</b>			702-905	SUPERBAR II, 5 ROW 2 BAR 4x7 FRT/BACK			
8.	630-427	KNIFE, RH 24" 3/8 x 4" RIPPER	*		702-907	SUPERBAR II, 7 ROW 2 BAR 4x7 FRT/BACK			
9.	630-426	KNIFE, LH 24" 3/8 x 4" RIPPER	*		702-909	SUPERBAR II, 9 ROW 2 BAR 4x7 FRT/BACK			
10.	602-0810Z	BOLT, HCS ZP GR5 1/2 x 2-1/2"	*		704-055	TOOL BAR, 4 BAR 12.5/12.5/25" CTRS. 5 ROW			
11.	611-0801Z	NUT, HEX ZP 1/2"	*		704-075	TOOL BAR, 4 BAR 12.5/12.5/25" CTRS. 7 ROW			
12.	615-0800Z	WASHER, LOCK ZP 1/2"	*		704-095	TOOL BAR, 4 BAR 12.5/12.5/25" CTRS. 9 ROW			
13.	616-0800Z	WASHER, FLAT ZP 1/2"	*			SEE PAGE D-1 FOR MORE INFORMATION			
<b>B.</b>	<b>709-008</b>	<b>SHANK, MEGATILL 30" POINT/SHIN</b>					<b>HITCHES</b>		
1.	380-708	SHANK, MEGATILL 30" (BARE)	1		804-448	HITCH ASSY., CAT III WIDE 4x4 (4" DROP)			
		<b>CLAMP ASSY., 2 BAR 25" REINFORCED</b>			804-748	HITCH ASSY., CAT III WIDE 4x7 (4" DROP)			
14.	636-955	CLAMP SIDE, 2 BAR 25" REINFORCED	2			SEE PAGE D-8 FOR PARTS BREAKDOWN			
15.	610-1418Z	‡ SHEAR BOLT, ZP 7/8 x 4-1/2"	1				<b>COULTERS</b>		
16.	602-1418Z	BOLT, HCS ZP GR5 7/8 x 4-1/2"	1		841-100	COULTER ASSY., S.L. SWIVEL (4x4 BAR)			
17.	610-0035	U-BOLT, 7/8" FOR 4x4 BAR	4			SEE PAGE C-20 FOR PARTS BREAKDOWN			
18.	613-1400Z	NUT, HEX NYLOCK ZP 7/8"	2						
19.	611-1401Z	NUT, HEX ZP 7/8"	8						

The MegaTill Sub-Soiler breaks up hardpans and compaction to provide a healthy subsoil environment.

High clearance MegaTill shanks penetrate furrows or beds to the depths you want to plow. Shank design features a replaceable chromium carbide shin on the front of the shank. The front portion of the reversible shin is sharpened to reduce drag and field clodding. Exclusive design and fit of the point and shin maintain a sleek subsoil profile.

The MegaTill offers unlimited flexibility to apply precision tillage to your bedded crop fields. Shanks may be operated to loosen crop middles without damage to quick growing crops like corn.

MegaTill Sub-Soiler shanks may also be arranged to loosen an area in the middle of each crop bed, providing a prepared area for crop root growth. Optional knives may be attached to undercut each bed. Crop stalks may be killed and uprooted in one pass. Deep rooted weeds can be cut at a depth to allow your young



crop a head start into the growing season.

In addition, tools may be arranged on four bar frames so shanks are placed in each furrow or with shanks placed in both the top and bottom of each bed.

MegaTill Inter-Row Sub-Soilers are specifically designed to rip the furrow between crop rows. This procedure has been proven effective in shattering compaction caused by tractor traffic and will improve water absorption and reduce runoff, particularly under center pivot irrigation systems, helping you make the most of your precious water resources.

MegaTill Sub-Soilers are equipped with a heavy diamond mast four bar frame to allow coulter and shank placement at virtually any row spacing. Category III 4" drop hitch provides ground clearance for long shanks. Even numbers of spring loaded swivel coulters and 30" shanks with double bar reinforced clamp packages are included with all standard MegaTill Sub-Soilers to accommodate top of bed placement..

MegaTill Inter-Row Sub-Soilers are equipped on double bar frames with your choice of Double 4x4 or Double 4x7 lower tubes and Category III 4" drop hitch. Odd numbers of 36" shanks and double bar reinforced clamps are included on standard MegaTill Inter-Row Sub-Soilers for placement in furrows. Coulters are not included.