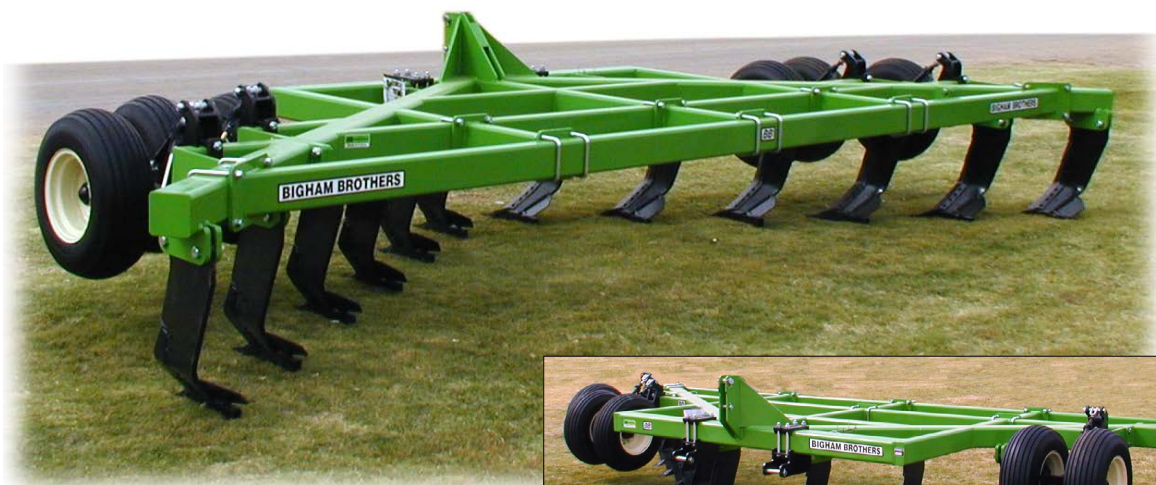


Super Duty V-Till®

B-205



Super Duty V-Till® excels in high horsepower applications. We recommend the Super Duty V-Till® for Tractors rated at 250HP and above. Proven tillage without clods with award winning Paratill® Legs. Utilize maximum horsepower on your farm with the Super Duty V-Till®.



Standard Features:

- Super Duty V-Till® Frame is constructed from 7 x 7 x 1/2" tube. Heavy welded frame is massive and can withstand the harshest soil and operating conditions. Heavy Category IV hitch is standard on all Super Duty models. Category III hitch may be substituted.
- Each Paratill Leg is protected by six high quality replaceable wear surface parts, and equipped with a shear bolt to prevent damage when rocks or other obstructions are encountered. Leg clamps space legs at optimum 26" point centers for a consistent tillage across the width of the frame.
- Super Duty Gauge Wheels are **included** with all models. Super Duty Gauge Wheels feature eight bolt hubs with a static load capacity of 8000 Lbs. each. Eight and Ten Leg machines include duals; Twelve Leg machines have singles and duals.

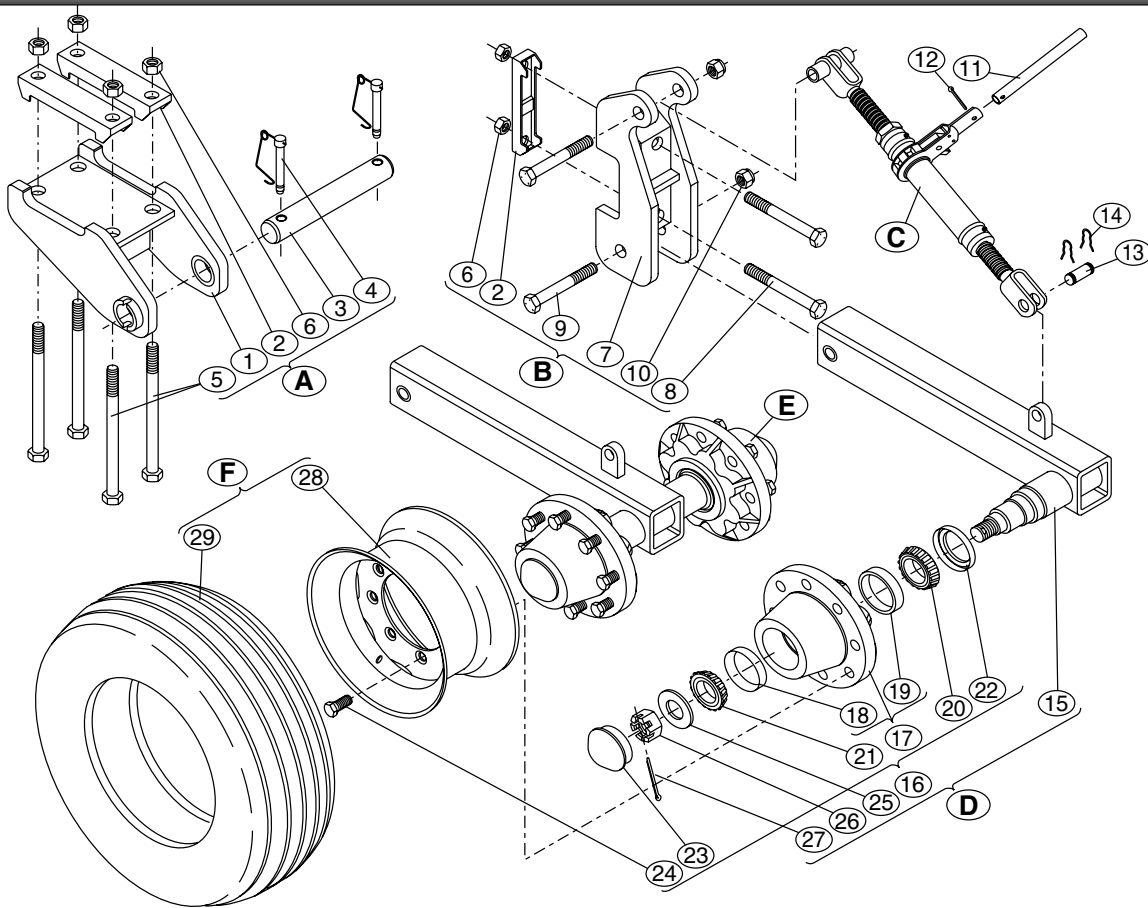
P/N	Description	Transport Width	Frame Depth From Hitch Pin	Number of Legs	Tillage Width	Approx. Ship Wt.
907-608SD	V-Till®, 8 Leg 7x7"	17'8"	85"	8	16'6"	4800 Lbs.
907-610SD	V-Till®, 10 Leg 7x7"	22'	107"	10	20'10"	5250 Lbs.
907-612SD	V-Till®, 12 Leg 7x7"	26'4"	125"	12	25'2"	7640 Lbs.

Super Duty V-Tills® include: V-Frame constructed with 7 x 7 x 1/2" tube, Leg brackets, hitch and gauge wheel mounting boxes, Cat. IV 4" drop hitch assembly, corresponding quantities of Legs with wear parts as specified, and super duty gauge wheels with 12.5L Tires (dual gauge wheels with eight and ten Leg units; duals and single gauge wheels with twelve Leg units). Bolt on frame extensions are supplied with ten Leg Plows. Extensions and rear frame support are supplied on twelve Leg Plows. All units are priced unassembled, F.O.B. Lubbock, Texas.



Lubbock, Texas (800) 692-4449
 Carlisle, Arkansas (870) 552-7517
www.BighamAg.com

Super Duty V-Till® (Gauge Wheel & Hitch Parts Breakdown)



Ref.#	P/N	Description	Qty. Req. Per Assy.	Ref.#	P/N	Description	Qty. Req. Per Assy.
Hitch Assembly:				705-042L Arm/Hub Assy., LH SD W80-8 1			
A.	804-793	Pull Point Assy., 7x7" Cat. IV	2	D.	705-042R	Arm/Hub Assy., RH SD W80-8	1
1.	704-747	Pull Point, 7" Bar 4" Drop (Cat. IV)	1		705-041L	Arm/Spindle Wlmt., LH SD G.W. W80-8	1
2.	628-308	Cap, 7" Bar 1" Bolt Hole	2	15.	705-041R	Arm/Spindle Wlmt., RH SD G.W. (Pict.)	1
3.	617-199	Pin, Clevis Cat. IV 2x8-1/16"	1	16.	627-180	Hub Assy., 8 Hole W80-8	-
4.	617-127	Pin, Loxall 1/2x3-1/2" Usbl.	2	17.	627-179	Hub/Cups, 8 Hole W80-8 2811100	1
5.	602-1640Z	Bolt, HCS ZP GR5 1x10"	4	18.	622-036	Cup, #LM501310 (501349 Brg.)	-
6.	611-1601Z	Nut, Hex ZP 1"	4	19.	622-038	Cup, #JLM506810 (506849 Brg.)	-
	617-191	Pin, Top Link (Cat. IV) ZP	1	20.	622-039	Bearing, Taper 506849 9102931	1
	617-190	Pin, Top Link (Cat. III) ZP	1	21.	622-037	Bearing, Taper 501349 9102731	1
Gauge Wheel Assemblies:				22.	623-025	Seal, 8 Hole W80-8 Hub 27394	1
	805-747	Super Duty Duals w/12.5L Tires		23.	627-563	Dust Cap, 8 Hole W80-8 Hub 9099121	1
	805-748	Super Duty Singles w/12.5L Tires		24.	607-1008Z	Bolt, Lug ZP 5/8x2-1/16"	8
B.	805-174	Mount Assy., 7x4" XHD GW	2	25.	616-1600	Bushing, Machine 1-1/16" ID	1
7.	705-063	Bracket, G.W. XHD 7"	1	26.	614-1608	Nut, Hex Slotted 1" NF 9129591	1
8.	602-1628Z	Bolt, HCS ZP GR5 1x7"	2	27.	617-027	Pin, Cotter 7/32x2-1/4"	1
9.	602-1630Z	Bolt, HCS ZP GR5 1x7-1/2"	2	E.	705-031	Arm/Hub Assy., Dual SD GW W80-8	2
10.	613-1600Z	Nut, Hex Nylock ZP 1"	2		705-023	Arm/Spindle Wlmt., Dual SD G.W.	1
C.	705-084	Ratchet Jack, G.W. XHD	2	F.	705-003B	Wheel/Tire Assy., 12.5Lx16" 8 Hole	2/4
11.	617-110	Tube, 7/8x12" G.W. Jack Handle	2	28.	627-470	Wheel, 16x10" 8 Hole	1
12.	617-026	Pin, Cotter 1/4x2"	2	29.	627-568	Tire, 12.5Lx16" 12 Ply	1
13.	617-160	Pin, Clevis ZP 1x2" Usbl. (G.W.)	2	See catalog page B-192 for detailed parts list of Paratill® Legs and shear bolts.			
14.	617-107	Hairpin, 3/16x2"	4				