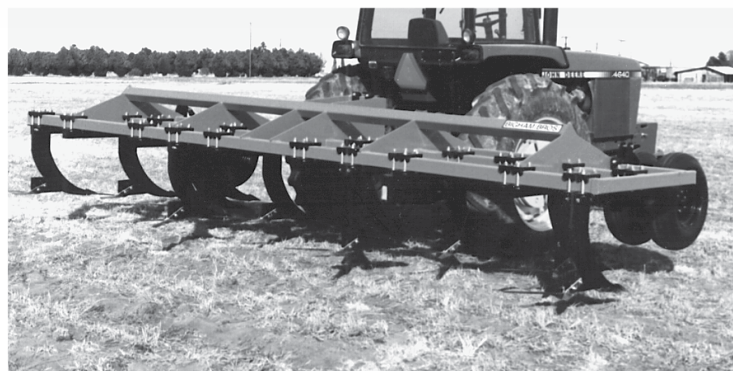


Parabolic Ripper

B-311



Shattersubsoil compaction to help root growth with the Bigham Parabolic Ripper Plow. A deep tillage trip with this tool eliminates hardpan underneath the seedbed, increase water intake, and reduces runoff. Standard Parabolic Rippers are also available with spring loaded swivel coulters for operation in high residue field conditions.



Above: Thirteen shank ripper with coulters has optional fertilizer tubes on rear of shanks.

Left: Thirteen shank parabolic ripper is equipped with optional knives.

Standard Equipment Features:

- Parabolic shank is designed to take the ground deep. Standard 28" shank and optional 32" shank provide exceptional frame clearance.
- Component design of heavy double bar clamps will enable staggered shank placement on virtually any row width. Clamps spread the load between two bars.
- Specialized trip bolt in the front of the clamp provides protection against structural damage to the plow if obstructions are encountered.
- Heavy diamond mast three bar frame (Superbar II) and heavy duty Cat. III hitch are standard on all models. Rippers with coulters include tool bars with Heavy Duty Option.

Optional Equipment and Accessories:

- Shank may be equipped with rear knife plate or fertilizer delivery tube.
- Gauge Wheels (See pages C-1 through C-4)
- Ripper Knives (See reverse and page D-15)
- Special Tool Bar Options (See page D-1)
- Mounted Finishing Tools (See page C-21)

Parabolic Ripper Plows

P/N	Description	Qty. Shanks	Tool Bar Length	Approx. Ship Wt.
906-535	Parabolic Ripper	7	14'6"	2247 Lbs.
906-536	Parabolic Ripper	9	14'6"	2529 Lbs.
906-735	Parabolic Ripper	11	20'8"	3296 Lbs.
906-736	Parabolic Ripper	13	20'8"	3580 Lbs.

Parabolic Ripper Plows Include: Tool bar (standard diamond mast three bar frame as indicated), hitch assy. (Cat.III), and corresponding quantities of 28" parabolic shanks with double bar shear bolt clamps.

Ripper Plows with Coulters

P/N	Description	Qty. Shanks & Coulters	Tool Bar Length	Approx. Ship Wt.
906-507	Ripper with Coulters	7	14'6"	3132 Lbs.
906-509	Ripper with Coulters	9	14'6"	3665 Lbs.
906-511	Ripper with Coulters	11	20'8"	4735 Lbs.
906-513	Ripper with Coulters	13	20'8"	5210 Lbs.

Ripper Plows with Coulters Include: Tool bar (diamond mast three bar frame with Heavy Duty Option as indicated), hitch assy. (Cat.III, 4" drop), corresponding quantities of 32" parabolic shanks with double bar shear bolt clamps and spring loaded swivel coulters with mounting clamps.

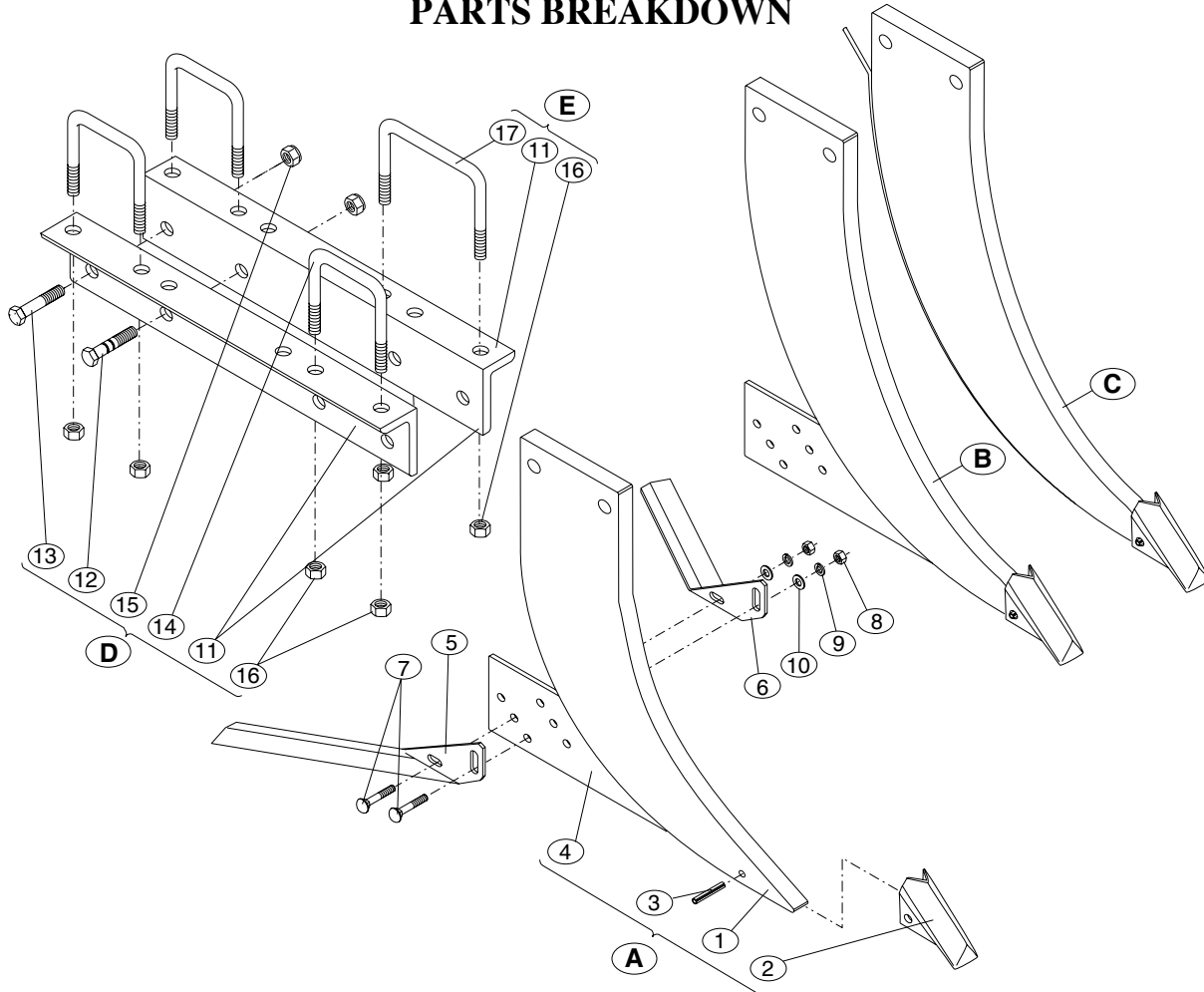
Gauge Wheels and knives are pictured but not included. Please specify if shanks are to be spaced on other than 20" centers. All units are priced unassembled, FOB Lubbock, Texas.



Lubbock, Texas (800) 692-4449
 Carlisle, Arkansas (870) 552-7517
www.BighamAg.com

PARABOLIC RIPPER

PARTS BREAKDOWN



REF#	P/N	DESCRIPTION	QTY. REQ. PER SHANK. (* AS REQ.)	REF#	P/N	DESCRIPTION	QTY. REQ. PER ASSY. (* AS REQ.)
A.	709-010	SHANK, RIPPER 1x8x28" W/KNIFE PLATE		E.	806-059	CLAMP ASSY; 2BAR 4" & 7" H.D.	
1.	380-800	SHANK, RIPPER W/HOLES; LESS PLATE	-	11.	636-958	CLAMP ANGLE, 2BAR HD 4x4 & 4x7 BAR	2
2.	709-014	POINT, RIPPER (CHROMIUM CARBIDE)	-	14.	610-0042	U-BOLT, 7/8" FOR 7x4 BAR GR5	2*
3.	617-052	PIN, ROLL 3/8x2"	-	TOOL BARS			
4.	310-110	KNIFE PLATE FOR RIPPER SHANK	-	703-605	SUPERBAR II, 5 ROW 3 BAR 25"		
B.	709-010S	SHANK, RIPPER 1x8x32" W/KNIFE PLATE		703-605HD	SUPERBAR II, 5 ROW 3 BAR 25" H.D. OPT.		
C.	709-011	SHANK, RIPPER 1x8x32" W/FERT. TUBE		703-607	SUPERBAR II, 7 ROW 3 BAR 25"		
OPTIONAL KNIVES				703-607HD	SUPERBAR II, 7 ROW 3 BAR 25" H.D. OPT.		
5.	630-425	KNIFE, RIPPER RH 3/8x4x24"	1	HITCHES			
6.	630-424	KNIFE, RIPPER LH 3/8x4x24"	1	804-443	HITCH ASSY., CAT. III WIDE 4 x 4		
7.	604-0808Z	BOLT, CRG. 1/2x2" GR5 ZP	2	(STANDARD ON PARABOLIC RIPPERS)			
8.	611-0801Z	NUT, HEX ZP 1/2"	2	804-448	HITCH, CAT III WIDE 4 x 4, 4" DROP		
9.	615-0800Z	WSHR, LOCK ZP 1/2"	2	(STANDARD ON RIPPERS WITH COULTERS)			
10.	616-0800Z	WSHR, FLAT ZP 1/2"	2	<i>SEE PAGES D-7 THROUGH D-10 FOR PARTS BREAKDOWN AND OTHER HITCHES</i>			
D.	806-055	CLAMP ASSY (2 BAR 25") HD		SPRING LOADED SWIVEL COULTERS			
11.	636-958	CLAMP ANGLE, 2BAR HD 4x4 & 4x7 BAR	2	841-100	COULTER ASSY, 4 x 4 BAR; 20" BLADE		
12.	610-1414Z	SHEAR BOLT, ZP 7/8x3-1/2" ‡	1	(STANDARD ON RIPPERS WITH COULTERS)			
13.	602-1414Z	BOLT, HCS ZP GR5 7/8"x3-1/2"	1	<i>SEE PAGE C-19 FOR PARTS BREAKDOWN.</i>			
14.	610-0035	U-BOLT, 7/8" FOR 4x4 BAR GR5	4/2*				
15.	613-1400Z	NUT, HEX NYLOCK ZP 7/8"	2				
16.	611-1401Z	NUT, HEX ZP 7/8"	8				

‡ WARNING! BIGHAM SPECIALIZED SHEAR BOLT MUST BE USED FOR ANY PRODUCT WARRANTY TO APPLY.