

Pivot Track Disc Filler

B-355



Bigham Pivot Track Disc Filler makes quick, easy work of filling ruts that can stop your pivot system in its tracks. Three point mount allows attachment to virtually any tractor. Adjust tooling on the machine for your specific operating needs.

Standard Features:

- Heavy **three bar frame** includes three point hitch compatible with Cat. II or Cat. III hitches.
- **Front guide discs** keep tool aligned on pivot track path.
- Heavy disc gangs mount independently to the frame. Blades may be adjusted laterally along the tool bar. Each disc is equipped with 1-1/8" arbor bolt and two sealed bearings per housing.
- Rear 28" basket **firms and levels the soil placed into the rut**. Double pressure springs supply downward force to break clods and smooth the surface.

Pivot Track Disc Filler (Whole Goods)					
<i>P/N</i>	<i>Description</i>	<i>Disc Gang Qty.</i>	<i>Overall Length</i>	<i>Overall Width</i>	<i>Approx. Ship Wt.</i>
918-006	Pivot Track Disc Filler	6	108"	74"	1150 Lbs.
918-007	Pivot Track Disc Filler	4	108"	74"	1070 Lbs.

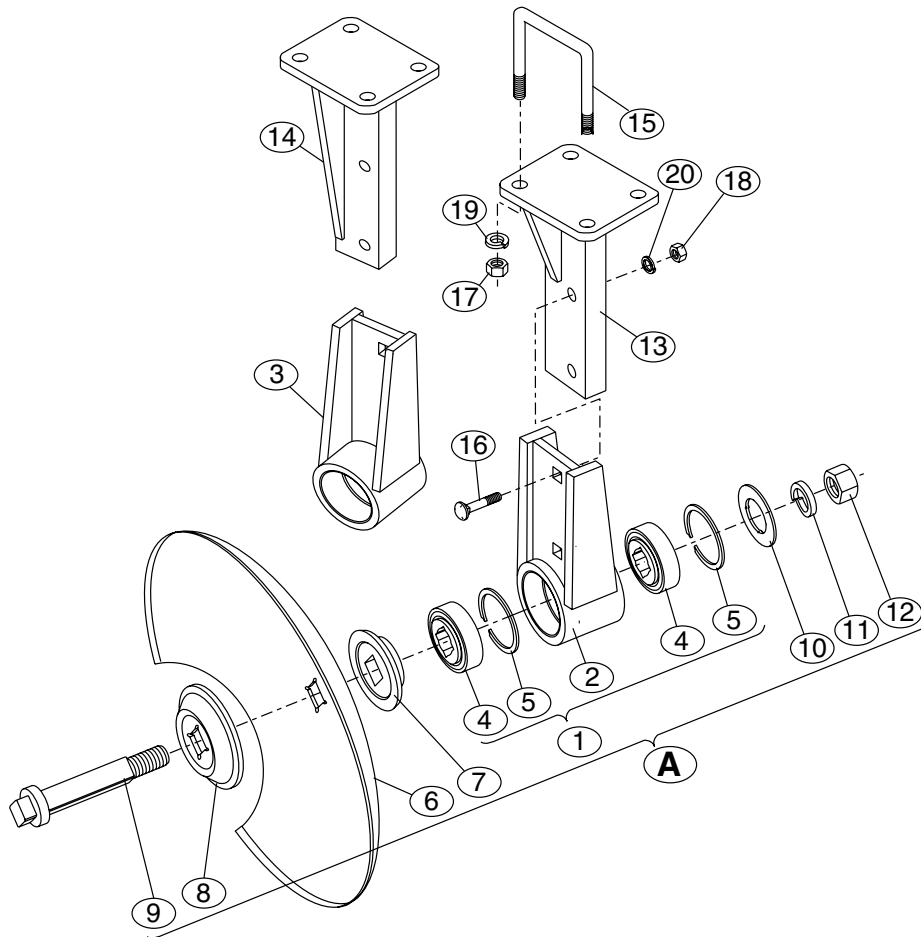
Pivot Track Disc Filler Includes: Tool bar (Diamond mast three bar frame; 6' usable width) with welded Cat. II/III hitch assy., two front guide disc assemblies with mounting hardware, two or three pair of disc gangs with 20" blade and rear 28" basket with mounting hardware and double spring. All units are priced unassembled, FOB Lubbock, Texas.



Lubbock, Texas (800) 692-4449
 Carlisle, Arkansas (870) 552-7517
www.BighamAg.com

PIVOT TRACK DISC FILLER

DISC GANG PARTS BREAKDOWN



830-420 Disc Row Assy., Pivot Track Disc Filler 20"Blades

Disc Row Gang Assemblies include items 1 Through 20.

One Pair of gangs and mounting brackets are included with each kit described above.

Each six gang pivot track filler includes three rows, or three pair of gangs per plow.

Each four gang pivot track filler includes two rows, or two pair of gangs per plow.

REF #	P/N	DESCRIPTION	QTY. REQ. PER GANG ASSY.	REF #	P/N	DESCRIPTION	QTY. REQ. PER ASSY.
A.	710-718	Gang Assy,LH Track Filler 20"	1	15.	610-0035	U-bolt,7/8" For 4x4" GR5 ZP	4
	710-719	Gang Assy,RH Track Filler 20"	1	16.	604-1012Z	Bolt, Carriage ZP GR5 5/8x3"	4
1.	710-765	Housing/Bearing Assy., LH	-	17.	611-1401Z	Nut, Hex ZP 7/8"	8
	710-765	Housing/Bearing Assy., LH	-	18.	611-1001Z	Nut, Hex ZP 5/8"	4
2.	710-760	Housing Weldment ,LH	1	19.	615-1400	Washer, Lock 7/8"	8
3.	710-761	Housing Weldment, RH	1	20.	615-1000Z	Washer, Lock ZP 5/8"	4
4.	622-057	Bearing,,1-1/8" Sq. W208PP5	2	Tool Bar/Hitch Pin Listing:			
5.	627-010	Snap Ring, Disc Bdr. Housing	2	703-006	Toolbar, 6' 3 Bar 25"4x4 with Weld-On Hitch		1
6.	630-020L	Disc, Concave 20" X 9 Ga 1.125	1	617-200	Pin, Clevis Comb. II & III ZP		2
7.	628-019	Front Plate, Disc Gang	1	617-164	Pin, Clevis Cat. II Top Link		1
8.	636-854	Spring Washer,7" 1-1/8"Sqr.Hole	1	617-190	Pin, Clevis Cat. III Top Link		1
9.	610-0055	Gang Bolt,1-1/8"X 6-5/8"Usbl.	1	617-105	Klik Pin, 7/16 x 2"		4
10.	615-1805Z	Washer,1-1/8" Gang Bolt ZP	1	Note: See Bigham Catalog page C-26 for basket parts diagram.			
11.	615-1800	Washer, Lock 1-1/8"	1	See Lilliston Catalog page 42; Rolling Cultivator Repair Parts for guide disc parts diagram.			
12.	611-1801Z	Nut, Hex ZP 1-1/8"	1				
13.	710-770	Mount Bkt, Disc Housing LH	1				
14.	710-771	Mount Bkt, Disc Housing RH	1				

Bigham offers a wide selection of tool bars. Please call for custom order information.