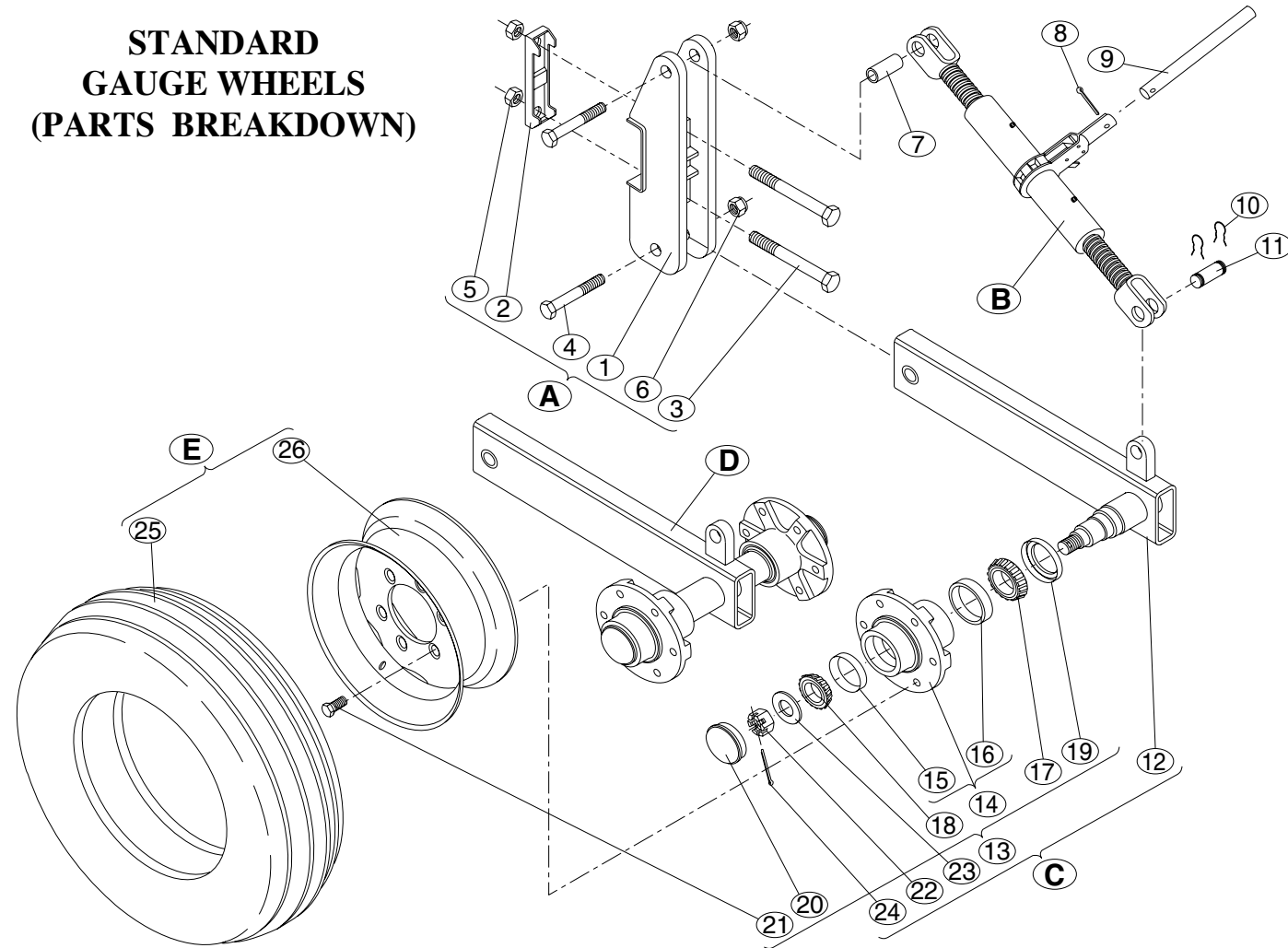
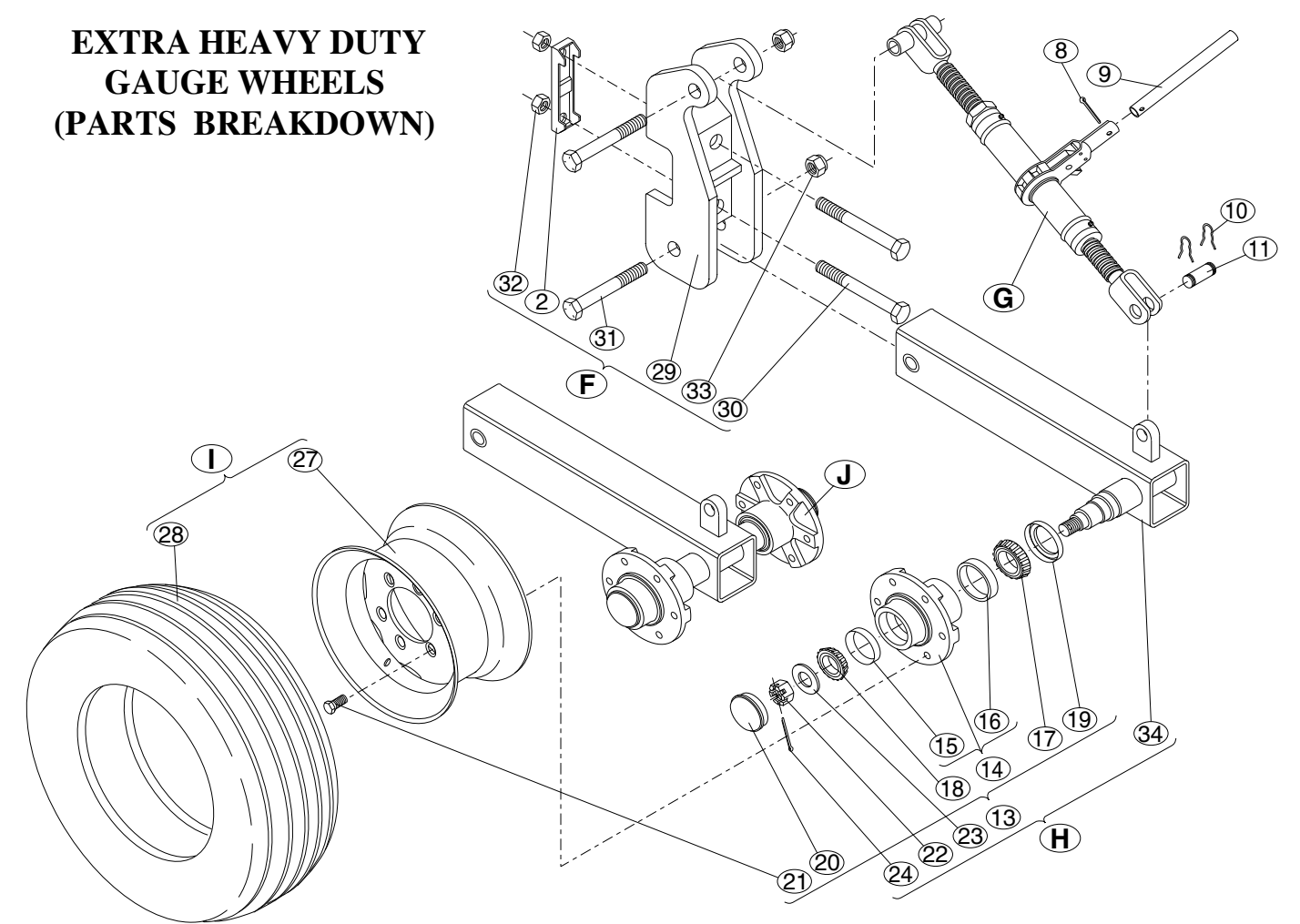


**STANDARD  
GAUGE WHEELS  
(PARTS BREAKDOWN)**



REF#	P/N	DESCRIPTION	QTY REQ. PER SET (* AS REQ.)	REF#	P/N	DESCRIPTION	QTY REQ. PER SET (* AS REQ.)
<b>A.</b>	<b>805-102</b>	<b>MOUNT ASSY., 2-1/4" DIAMOND</b>		<b>B.</b>	<b>705-080</b>	<b>SCREW JACK (RATCHET)</b>	<b>2</b>
	<b>805-104</b>	<b>MOUNT ASSY., 4 x 4" (PICTURED)</b>		<b>C.</b>	<b>705-020L</b>	<b>SHANK/HUB ASSY. LH</b>	<b>1*</b>
	<b>805-105</b>	<b>MOUNT ASSY., 5 x 7"</b>			<b>705-020R</b>	<b>SHANK/HUB ASSY. RH (PICTURED)</b>	<b>1*</b>
	<b>805-106</b>	<b>MOUNT ASSY., 4 x 7"</b>		<b>D.</b>	<b>705-015</b>	<b>SHANK/HUB ASSY., (DUALS)</b>	<b>2*</b>
	<b>805-107</b>	<b>MOUNT ASSY., 7 x 7"</b>			<b>705-014</b>	<b>SHANK/SPINDLES (DUALS)</b>	
				<b>E.</b>	<b>705-001</b>	<b>WHEEL &amp; TIRE 6 HOLE (7.60 x 15)</b>	<b>2/4*</b>
1.	705-046	MOUNT BKT., 2-1/4" DIAMOND	2*		609-1440Z	BOLT, HMB ZP GR2 7/8 x 10" (FOR 4 x 7 MOUNTS)	4
	705-047	MOUNT BKT., 4" (PICTURED)	2*	4.	601-1218Z	BOLT, HCS ZP GR2 3/4 x 4-1/2"	4
	705-050	MOUNT BKT., 5"	2*	5.	611-1401Z	NUT, HEX ZP 7/8"	4
	705-070	MOUNT BKT., 7"	2*	6.	613-1200Z	NUT, HEX NYLOCK ZP 3/4"	4
2.	628-312	CAP, CAST 2-1/4" HD	2*	7.	617-250	BUSHING, CLEVIS STD. G.W.	2
	628-400	CAP, CAST 4" HD	2*	8.	617-026	PIN, COTTER 1/4 x 2"	2
	636-833	CAP, 5" FABRICATED	2*	9.	617-110	TUBE, 7/8 x 12" (JACK HANDLE)	2
	628-308	CAP, 7" CAST	2*	10.	617-107	HAIRPIN, 3/16 x 2" 1" I.D.	4
3.	601-1426Z	BOLT, HCS ZP GR2 7/8 x 6-1/2" (FOR 2-1/4" DIAMOND MOUNT)	4*	11.	617-160	PIN, CLEVIS ZP 1 x 2" USBL	2
	601-1428Z	BOLT, HCS ZP GR2 7/8 x 7" (FOR 4 x 4" MOUNT)	4*	12.	705-019L	SHANK/SPINDLE, LH	
	609-1438Z	BOLT, HMB ZP 7/8 x 9-1/2" (FOR 5 x 7 & 7 x 7" MOUNTS)	4*		705-019R	SHANK/SPINDLE, RH (PICTURED)	
				13.	627-160	HUB ASSY., 6 HOLE Q888	
				14.	627-159	HUB/CUPS, 6 HOLE Q888	

**EXTRA HEAVY DUTY  
GAUGE WHEELS  
(PARTS BREAKDOWN)**



REF#	P/N	DESCRIPTION	QTY REQ. PER SET (* AS REQ.)	REF#	P/N	DESCRIPTION	QTY REQ. PER SET (* AS REQ.)
<b>F.</b>	<b>805-120</b>	<b>MOUNT ASSY., XHD 2-1/4" DIAMOND</b>		<b>G.</b>	<b>705-083</b>	<b>SCREW JACK (RATCHET) XHD</b>	<b>2</b>
	<b>805-144</b>	<b>MOUNT ASSY., XHD 4 x 4" (PICTURED)</b>		<b>H.</b>	<b>705-030L</b>	<b>SHANK/HUB ASSY., XHD LH</b>	<b>1*</b>
	<b>805-147</b>	<b>MOUNT ASSY., XHD 4 x 7"</b>			<b>705-030R</b>	<b>SHANK/HUB ASSY., XHD RH (PICT.)</b>	<b>1*</b>
	<b>805-157</b>	<b>MOUNT ASSY., XHD 5 x 7"</b>		<b>I.</b>	<b>705-002</b>	<b>WHEEL &amp; TIRE 6 HOLE (9.5L x 15")</b>	<b>2*</b>
	<b>805-177</b>	<b>MOUNT ASSY., XHD 7 x 7"</b>		<b>J.</b>	<b>705-032</b>	<b>SHANK/HUBS XHD DUALS</b>	<b>2/4*</b>
					<b>705-027</b>	<b>SHANK/SPINDLES XHD DUALS</b>	
15.	622-006	CUP, 67010		29.	705-060	MOUNT BKT., 4" XHD (PICTURED)	2*
16.	622-008	CUP, 69310			705-061	MOUNT BKT., 2-1/4" XHD	2*
17.	622-009	BEARING CONE, 69349			705-062	MOUNT BKT., 5" XHD	2*
18.	622-007	BEARING CONE, 67048			705-063	MOUNT BKT., 7" XHD	2*
19.	623-002	SEAL, Q888 HUB (16289)		30.	601-1630Z	BOLT, HCS ZP GR5 1 x 7-1/2" (FOR 2-1/4 DIA. & 4 x 4 MOUNT)	4*
20.	627-560	CAP, DIRT Q888 HUB			609-1640Z	BOLT, HMB ZP 1 x 10" (FOR 4 x 7, 5 x 7 & 7 x 7 MOUNT)	4*
21.	607-0805Z	BOLT, LUG ZP 1/2 x 1-1/4"		31.	602-1630Z	BOLT, HCS ZP GR5 1 x 7-1/2"	4
22.	614-1407	NUT, HEX SLOTTED 7/8" N.F.		32.	611-1601Z	NUT, HEX ZP 1"	4
23.	616-1400	BUSHING, MACH. 7/8" x 14 GA.		33.	613-1600Z	NUT, HEX NYLOCK ZP 1"	4
24.	617-020	PIN, COTTER 5/32 x 1-1/2"		34.	705-029L	SHANK/SPINDLE, XHD LH	
25.	627-750	TIRE, 7.60 x 15"	2/4*		705-029R	SHANK/SPINDLE, XHD RH (PICTURED)	
26.	627-456	WHEEL, 6 HOLE (15 x 5KB)	2/4*				
27.	627-460	WHEEL, 6 HOLE (15 x 8LB)	2/4*				
28.	627-569	TIRE, 9.5L x 15"					

# Specifications

## Standard Gauge Wheels - 2x4" Arm

Singles with Narrow (7.60) Tires								
P/N	Description	Ship Wt.	P/N	Description	Ship Wt.	P/N	Description	Ship Wt.
805-220	2-1/4" DIA. BAR	245 Lbs.	805-470	4 x 7" BAR	245 Lbs.	805-750	7 x 5" BAR	250 Lbs.
<b>805-440</b>	<b>4 x 4" BAR</b>	<b>245 Lbs.</b>	805-570	5 x 7" BAR	245 Lbs.	805-770	7 x 7" BAR	250 Lbs.
Singles Less Tires; 5" Wheels								
P/N	Description	Ship Wt.	P/N	Description	Ship Wt.	P/N	Description	Ship Wt.
805-220L	2-1/4" DIA. BAR	200 Lbs.	805-470L	4 x 7" BAR	200 Lbs.	805-750L	7 x 5" BAR	205 Lbs.
805-440L	4 x 4" BAR	200 Lbs.	805-570L	5 x 7" BAR	200 Lbs.	805-770L	7 x 7" BAR	205 Lbs.
Singles with Wide (9.5L) Tires								
P/N	Description	Ship Wt.	P/N	Description	Ship Wt.	P/N	Description	Ship Wt.
805-221	2-1/4" DIA. BAR	260 Lbs.	805-471	4 x 7" BAR	260 Lbs.	805-751	7 x 5" BAR	265 Lbs.
805-441	4 x 4" BAR	260 Lbs.	805-571	5 x 7" BAR	260 Lbs.	805-771	7 x 7" BAR	265 Lbs.
Singles Less Tires; 8" Wheels								
P/N	Description	Ship Wt.	P/N	Description	Ship Wt.	P/N	Description	Ship Wt.
805-221L	2-1/4" DIA. BAR	210 Lbs.	805-471L	4 x 7" BAR	210 Lbs.	801-751L	7 x 5" BAR	215 Lbs.
805-441L	4 x 4" BAR	210 Lbs.	805-571L	5 x 7" BAR	210 Lbs.	805-771L	7 x 7" BAR	215 Lbs.
DUALS with Narrow (7.60) Tires								
P/N	Description	Ship Wt.	P/N	Description	Ship Wt.	P/N	Description	Ship Wt.
805-222	2-1/4" DIA. BAR	390 Lbs.	805-472	4 x 7" BAR	390 Lbs.	805-752	7 x 5" BAR	395 Lbs.
805-442	4 x 4" BAR	390 Lbs.	805-572	5 x 7" BAR	390 Lbs.	805-772	7 x 7" BAR	395 Lbs.
DUALS Less Tires; 5" Wheels								
P/N	Description	Ship Wt.	P/N	Description	Ship Wt.	P/N	Description	Ship Wt.
805-222L	2-1/4" DIA. BAR	290 Lbs.	805-472L	4 x 7" BAR	290 Lbs.	805-752L	7 x 5" BAR	295 Lbs.
805-442L	4 x 4" BAR	290 Lbs.	805-572L	5 x 7" BAR	290 Lbs.	805-772L	7 x 7" BAR	295 Lbs.
DUALS with Wide (9.5L) Tires								
P/N	Description	Ship Wt.	P/N	Description	Ship Wt.	P/N	Description	Ship Wt.
805-223	2-1/4" DIA. BAR	420 Lbs.	805-473	4 x 7" BAR	420 Lbs.	805-753	7 x 5" BAR	425 Lbs.
805-443	4 x 4" BAR	420 Lbs.	805-573	5 x 7" BAR	420 Lbs.	805-773	7 x 7" BAR	425 Lbs.
DUALS Less Tires; 8" Wheels								
P/N	Description	Ship Wt.	P/N	Description	Ship Wt.	P/N	Description	Ship Wt.
805-223L	2-1/4" DIA. BAR	300 Lbs.	805-473L	4 x 7" BAR	300 Lbs.	805-753L	7 x 5" BAR	305 Lbs.
805-443L	4 x 4" BAR	300 Lbs.	805-573L	5 x 7" BAR	300 Lbs.	805-773L	7 x 7" BAR	305 Lbs.

## Extra Heavy Duty Gauge Wheels - 4x4" Arm

Extra Heavy Duty Singles with 9.5L Tires								
P/N	Description	Ship Wt.	P/N	Description	Ship Wt.	P/N	Description	Ship Wt.
805-225	2-1/4" DIA. BAR	357 Lbs.	805-475	4 x 7" BAR	357 Lbs.	805-755	7 x 5" BAR	360 Lbs.
805-445	4 x 4" BAR	355 Lbs.	805-575	5 x 7" BAR	357 Lbs.	805-775	7 x 7" BAR	362 Lbs.
Extra Heavy Duty Singles Less Tires - 8" Rims								
P/N	Description	Ship Wt.	P/N	Description	Ship Wt.	P/N	Description	Ship Wt.
805-225L	2-1/4" DIA. BAR	292 Lbs.	805-475L	4 x 7" BAR	292 Lbs.	805-755L	7 x 5" BAR	295 Lbs.
805-445L	4 x 4" BAR	290 Lbs.	805-575L	5 x 7" BAR	292 Lbs.	805-775L	7 x 7" BAR	297 Lbs.
Extra Heavy Duty Duals with 9.5L Tires								
P/N	Description	Ship Wt.	P/N	Description	Ship Wt.	P/N	Description	Ship Wt.
805-226	2-1/4" DIA. BAR	500 Lbs.	805-476	4 x 7" BAR	500 Lbs.	805-756	7 x 5" BAR	503 Lbs.
805-446	4 x 4" BAR	498 Lbs.	805-576	5 x 7" BAR	500 Lbs.	805-776	7 x 7" BAR	505 Lbs.
Extra Heavy Duty Duals Less Tires - 8" Rims								
P/N	Description	Ship Wt.	P/N	Description	Ship Wt.	P/N	Description	Ship Wt.
805-226L	2-1/4" DIA. BAR	376 Lbs.	805-476L	4 x 7" BAR	376 Lbs.	801-756L	7 x 5" BAR	378 Lbs.
805-446L	4 x 4" BAR	374 Lbs.	805-576L	5 x 7" BAR	376 Lbs.	805-776L	7 x 7" BAR	380 Lbs.

All Gauge Wheels Listed on this page are **PRICED IN PAIRS.**

**GAUGE WHEELS FOR VIRTUALLY ANY APPLICATION. PACKAGES COME AS SINGLES OR DUALS, WITH YOUR CHOICE OF WIDE OR NARROW TIRES.**

BIGHAM • 705 E. SLATON ROAD • P.O. BOX 3338 • LUBBOCK, TX 79452 • (806) 745-0384  
1220 EAST DURKEE STREET • CARLISLE, AR 72024 • (870) 552-7517

# GAUGE WHEELS

## Extra Heavy Duty Gauge Wheels

Bigham offers **Extra Heavy Duty Gauge Wheels** designed for extra load carrying capacity and durability, built to stand up under extreme conditions. Standard mountings fit 4 x 4", 4 x 7", 5 x 7", 7 x 5" and 7 x 7", and 2-1/4" diamond tool bars. Extra Heavy Duty Gauge Wheel packages come as singles or duals, with wide (9.5L x 15-8 ply) tires.



### Standard Features:

- Mount bracket is made from heavy 3/4" plate steel and wraps almost completely around the tool bar.
- Shank is constructed from 4x4x1/4" steel tubing.
- Hub, Spindle and wheel assembly is rated at 3500 Lbs. capacity, singles, and 7000 Lbs., duals.
- Screw jack uses 1-1/4" Acme thread screws. All adjusting parts are plated for rust prevention.

## Standard Gauge Wheels

Bigham also offers a wide selection of **Standard Gauge Wheels** to suit virtually any application. Standard mountings fit 4 x 4", 4 x 7", 5 x 7", 7 x 5" 7 x 7", and 2-1/4" diamond tool bars. Standard Gauge Wheel packages come as singles or duals, with your choice of wide (9.5L x 15-8 ply) or narrow (7.60 x 15-6 ply) tires.

### Standard Features:

- 2" diameter spindle is welded through both sides of 2 x 4 x 1/4" tubing for shank stability.
- Narrow profile of mount bracket allows close spacing between shanks or other attachments.
- Screw jack has 1-1/8" Acme thread screws. Ratchet handle makes adjustments quick and easy.



**BIGHAM**

Lubbock, Texas (800) 692-4449  
Carlisle, Arkansas (870) 552-7517  
[www.BighamAg.com](http://www.BighamAg.com)