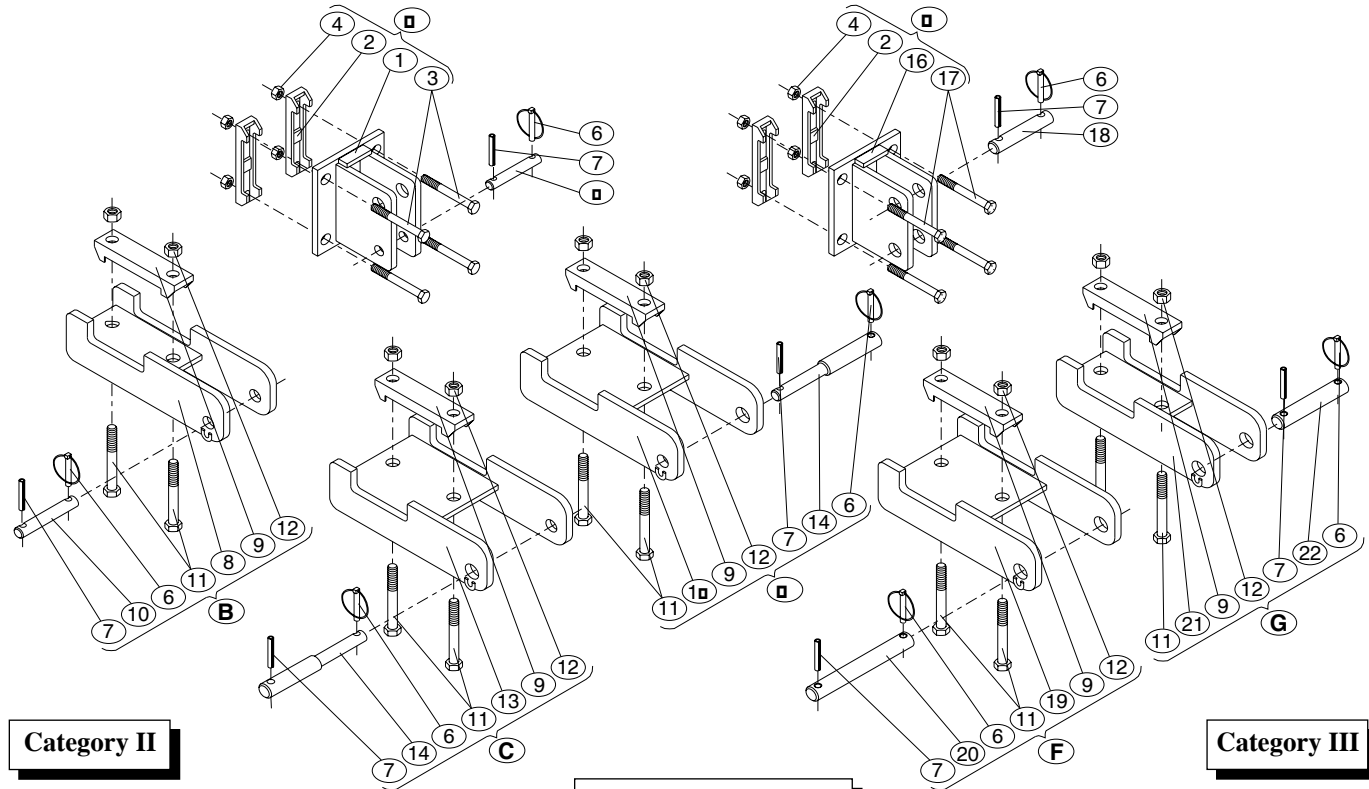


# Three Point Hitches (Parts Breakdown)



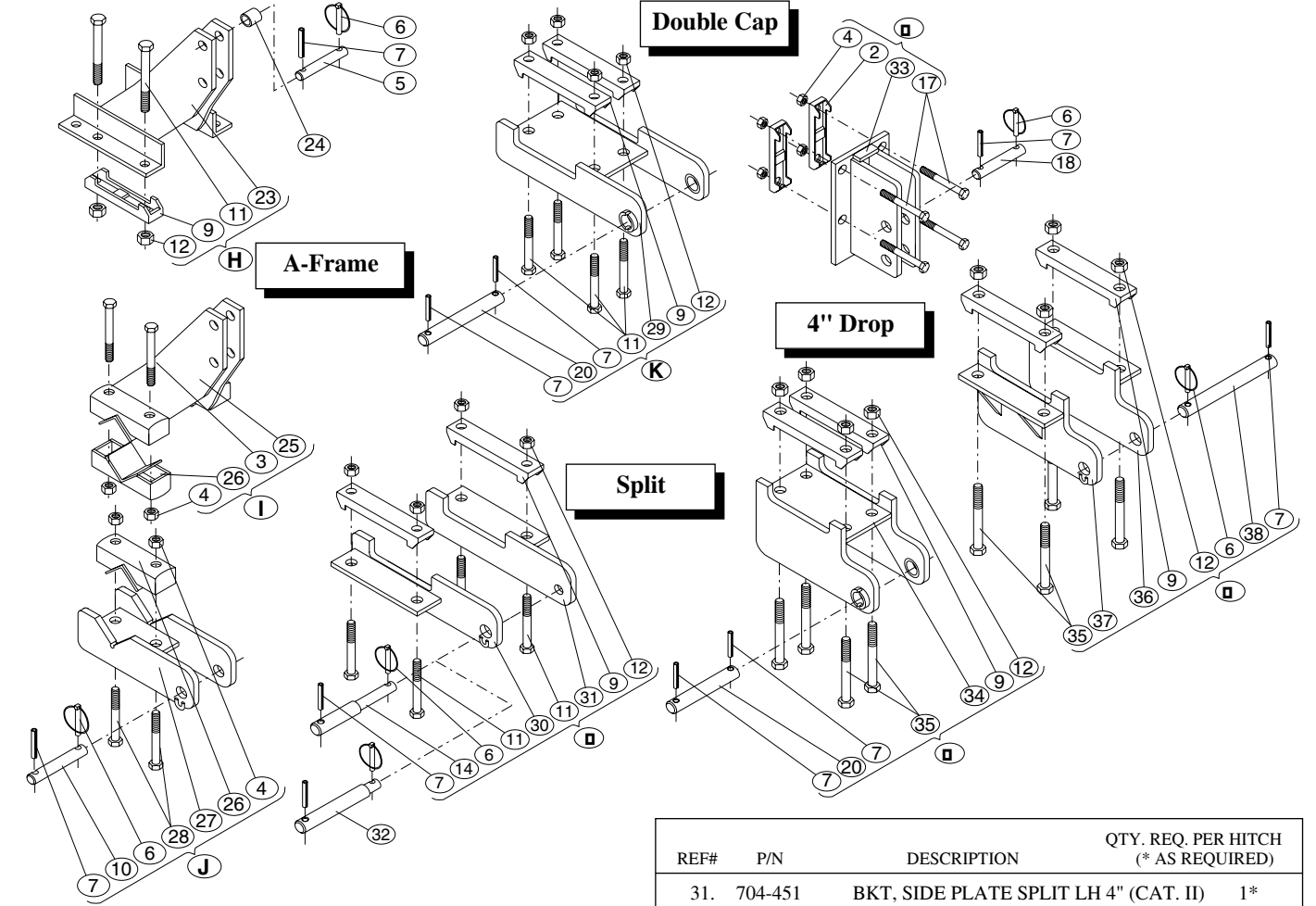
**Category II**

**Combination II & III**

**Category III**

REF#	P/N	DESCRIPTION	QTY. REQ. PER HITCH (* AS REQUIRED)	REF#	P/N	DESCRIPTION	QTY. REQ. PER HITCH (* AS REQUIRED)
<b>Top Link Parts List (Comb II &amp; III)</b>				<b>Top Link Parts List (Category III)</b>			
<b>A.</b>	<b>804-300</b>	<b>3RD LINK ASSY., COMB. II&amp;III(4 x 4")</b>		<b>E.</b>	<b>804-301</b>	<b>3RD LINK ASSY., CAT. III (4 x 4")</b>	
1.	704-300	BKT., 3RD LINK COMB II & III (4")	1	16.	704-301	BRACKET, 3RD LINK (CAT.III)	1
2.	628-400	CAP, 4" 7/8 & 1" BOLT HOLES	2	17.	602-1426Z	BOLT, HCS ZP GR5 7/8 x 6-1/2"	4
3.	601-1426Z	BOLT, HCS ZP GR2 7/8 x 6-1/2"	4	<b>Top Link Pin Category III (Not included with hitch assembly)</b>			
4.	611-1401Z	NUT, HEX ZP 7/8"	4	18.	617-190	PIN, CLEVIS ZP 1-1/4 x 3-1/2" USBL. (CAT. III)	1*
<b>Top Link Pin Category II (Not included with hitch assembly)</b>				<b>Category III Pull Points</b>			
5.	617-164	PIN, CLEVIS ZP 1 x 3-1/2" USBL (CAT. II)	1*	<b>F.</b>	<b>804-419W</b>	<b>PULL PT. ASSY., CAT. III WIDE (4 x 4")</b>	
6.	617-105	CLICK PIN, 7/16 x 2"	1*	<b>804-520</b>	<b>PULL PT. ASSY., CAT. III WIDE (5 x 7")</b>		
7.	617-053	PIN, ROLL 7/16 x 2-1/4"	1*	<b>804-719W</b>	<b>PULL PT. ASSY., CAT. III WIDE (4 x 7")</b>		
<b>Category II Pull Point Parts List</b>				<b>G.</b>	<b>804-419N</b>	<b>PULL PT. ASSY., CAT. III NARROW (4 x 4")</b>	
<b>B.</b>	<b>804-416</b>	<b>PULL PT. ASSY., CAT II (4 x 4")</b>		<b>804-519</b>	<b>PULL PT. ASSY., CAT. III NARROW (5 x 7")</b>		
	<b>804-716</b>	<b>PULL PT. ASSY., CAT II (4 x 7")</b>		<b>804-719N</b>	<b>PULL PT. ASSY., CAT. III NARROW (4 x 7")</b>		
	<b>804-736</b>	<b>PULL PT. ASSY., CAT II (5 x 7")</b>		21.	704-445	BKT., PULL PT. CAT III NARROW (4")	2
8.	704-422	BKT., PULL PT. CAT II 4"	2	704-728	BKT., PULL PT. CAT III NARROW (7")	2	
	704-722	BKT., PULL PT. CAT II 7"	2	22.	617-195	PIN, CLEVIS 1-7/16 x 4-1/2" USBL.	2
9.	628-400	CAP, 4" 7/8 & 1" BOLT HOLES	2*	<b>A-Frames for 4x4, 4x7 &amp; 5x7 Frames</b>			
	628-308	CAP, 7" 7/8 & 1" BOLT HOLES	2*	<b>H.</b>	<b>804-415</b>	<b>"A" FRAME ASSY., 4 x 4" BAR</b>	
10.	617-185	PIN, CLEVIS ZP 1-1/8 x 4-5/8" USBL	2		<b>804-715</b>	<b>"A" FRAME ASSY., 4 x 7" BAR</b>	
11.	601-1628Z	BOLT, HCS ZP GR2 1 x 7"	4*		<b>804-515</b>	<b>"A" FRAME ASSY., 5 x 7" BAR</b>	
	601-1626Z	BOLT, HCS ZP GR2 1 x 6-1/2"	4*	23.	704-721	"A" FRAME, 4x7 & 4x4 BAR	1
	601-1630Z	BOLT, HCS ZP GR2 1 x 7-1/2"	4*		704-751	"A" FRAME, 5x7 BAR	1
12.	611-1601Z	NUT, HEX ZP 1"	4	<b>Top Link Bushing for A-Frame (Not included with hitch assembly)</b>			
<b>Combination II &amp; III Pull Point Parts List</b>				24.	617-251	BUSHING CLEVIS, TOP PIN	1*
<b>C.</b>	<b>804-418</b>	<b>PULL PT. ASSY., COMB. 4 x 4" RH</b>		<b>Hitch Parts List for 2-1/4" Diamond Tool Bars (Continued on Page D-11)</b>			
	<b>804-518</b>	<b>PULL PT. ASSY., COMB. 5 x 7" RH</b>					
	<b>804-718</b>	<b>PULL PT. ASSY., COMB. 4 x 7" RH</b>					
<b>D.</b>	<b>804-417</b>	<b>PULL PT. ASSY., COMB. 4 x 4" LH</b>					
	<b>804-517</b>	<b>PULL PT. ASSY., COMB. 5 x 7" LH</b>					
	<b>804-717</b>	<b>PULL PT. ASSY., COMB. 4 x 7" LH</b>					

# Special Application Hitches (Parts Breakdown)



**Double Cap**

**A-Frame**

**4" Drop**

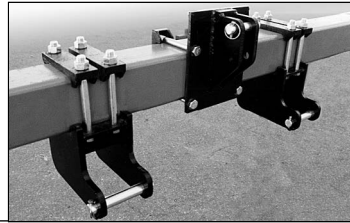
**Split**

REF#	P/N	DESCRIPTION	QTY. REQ. PER HITCH (* AS REQUIRED)
<b>I.</b>	<b>804-217</b>	<b>"A" FRAME ASSY., 2-1/4" DIA. BAR</b>	
25.	704-221	"A" FRAME, 2-1/4" DIAMOND BAR	1
26.	628-312	CAP, 2-1/4" DIAMOND (FAB) HD	4
<b>J.</b>	<b>804-218</b>	<b>PULL PT. ASSY., 2-1/4" DIA. CAT II</b>	
	<b>804-219</b>	<b>PULL PT. ASSY., 2-1/4" LH (COMB)</b>	
	<b>804-220</b>	<b>PULL PT. ASSY., 2-1/4" RH (COMB)</b>	
27.	704-222	BKT., PULL POINT 2-1/4" CAT II	2
	704-224	BKT., PULL PT. LH (COMB. 2-1/4")	1
	704-225	BKT., PULL PT. RH (COMB. 2-1/4")	1
28.	601-1424Z	BOLT, HCS ZP GR2 7/8 x 6"	8
<b>Double Cap Pull Point Parts List (Category III)</b>			
<b>K.</b>	<b>804-512</b>	<b>PULL PT. ASSY., 4x4 CAT.III DBL. CAP</b>	
	<b>804-710</b>	<b>PULL PT. ASSY., 4x7 CAT.III DBL. CAP</b>	
29.	704-444D	BKT., PULL PT. 4" (CAT III) DBL.CAP	2
	704-727D	BKT., PULL PT. 7" (CAT III) DBL CAP	2
<b>Split Pull Point Parts List</b>			
<b>L.</b>	<b>804-456</b>	<b>PULL PT. ASSY., SPLIT CAT. III 4x4</b>	
	<b>804-457</b>	<b>PULL PT. ASSY., SPLIT COMB. 4x4 LH</b>	
	<b>804-458</b>	<b>PULL PT. ASSY., SPLIT COMB. 4x4 RH</b>	
	<b>804-703</b>	<b>PULL PT. ASSY., SPLIT CAT. III 4x7</b>	
	<b>804-704</b>	<b>PULL PT. ASSY., SPLIT COMB. 4x7 LH</b>	
	<b>804-705</b>	<b>PULL PT. ASSY., SPLIT COMB. 4x7 RH</b>	
30.	704-452	BKT., SIDE PLATE SPLIT RH 4" (CAT. II)	1*
	704-454	BKT., SIDE PLATE SPLIT RH 4" (CAT. III)	1*
	704-702	BKT., SIDE PLATE SPLIT RH 7" (CAT. II)	1*
	704-704	BKT., SIDE PLATE SPLIT RH 7" (CAT. III)	1*

REF#	P/N	DESCRIPTION	QTY. REQ. PER HITCH (* AS REQUIRED)
31.	704-451	BKT. SIDE PLATE SPLIT LH 4" (CAT. II)	1*
	704-453	BKT. SIDE PLATE SPLIT LH 4" (CAT. III)	1*
	704-701	BKT. SIDE PLATE SPLIT LH 7" (CAT. II)	1*
	704-703	BKT. SIDE PLATE SPLIT LH 7" (CAT. III)	1*
32.	617-201	PIN, CAT. III FOR COMB II & III (OPTIONAL)	
<b>Drop Hitch (4") Parts List</b>			
<b>M.</b>	<b>804-304</b>	<b>3RD LINK ASSY., 4x4 BAR 4" DROP</b>	
33.	704-304	BRACKET, 3RD LINK 4x4 W/4"DROP	1
<b>N.</b>	<b>804-503</b>	<b>PULL PT. ASSY., CAT. III 4"DROP 4x4</b>	
	<b>804-504</b>	<b>PULL PT. ASSY., COMB. 4" DROP 4x4 LH</b>	
	<b>804-505</b>	<b>PULL PT. ASSY., COMB. 4" DROP 4x4 RH</b>	
	<b>804-508</b>	<b>PULL PT. ASSY., COMB. 4" DROP 4x7 LH</b>	
	<b>804-509</b>	<b>PULL PT. ASSY., COMB. 4" DROP 4x7 RH</b>	
	<b>804-510</b>	<b>PULL PT. ASSY., CAT. III 4"DROP 4x7</b>	
34.	704-450	PULL PT. (CAT.III) 4"BAR; 4"DROP	2
	704-446	PULL PT. (LH COMB) 4" BAR; 4"DROP	1
	704-447	PULL PT. (RH COMB) 4" BAR; 4"DROP	1
	704-750	PULL PT. (CAT.III) 7"BAR; 4"DROP	2
	704-748	PULL PT. (LH COMB) 7" BAR; 4"DROP	1
	704-749	PULL PT. (RH COMB) 7" BAR; 4"DROP	1
35.	602-1628Z	BOLT, HCS ZP GR5 1 x 7"	8*
		(FOR 4 x 4" PULL POINTS)	
	602-1626Z	BOLT, HCS ZP GR5 1 x 6-1/2"	8*
		(FOR 4 x 7" PULL POINTS)	
<b>O.</b>	<b>804-460</b>	<b>PULL PT. ASSY., 4x4"; 4"DROP SPLIT CAT. III</b>	
	<b>804-734</b>	<b>PULL PT. ASSY., 4x7"; 4"DROP SPLIT CAT. III</b>	
36.	704-460	BKT., LH SPLIT 4" BAR (CAT III) 4"DROP	2
	704-714	BKT., LH SPLIT 7" BAR (CAT III) 4"DROP	2
37.	704-461	BKT., RH SPLIT 4" BAR (CAT III) 4"DROP	2
	704-715	BKT., RH SPLIT 7" BAR (CAT III) 4"DROP	2
38.	617-197	PIN, CLEVIS CAT III 9-1/2"USBL.	2

**8" Drop Hitch**

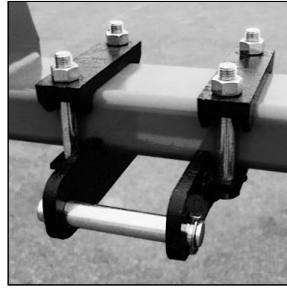
8" Drop hitch places pin positions well below the bottom side of the tool bar (8" from lower surface of frame to center of lower pin) for the highest clearance applications. Formalloy® construction.



P/N	Tool Bar Size	Ship Weight.
<b>804-799</b>	<b>7 x 7"</b>	<b>195 Lbs.</b>

**Split Hitches**

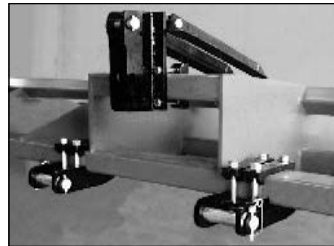
Split hitches are designed to straddle attachments which must be placed where lower pull points are usually mounted. Examples of this application are planter units, bed toppers and trash coulters for Paratills® on narrow row spacing. Extended split hitches place pin position 2" forward from standard position for additional clearance to mount clamps and other attachments. Combination II & III hitches are suitable for tractors up to 150 hp. Category III split hitches are suitable for tractors up to 200 hp.



Category III			Combination II & III		
P/N	Tool Bar Size	Ship Weight.	P/N	Tool Bar Size	Ship Weight.
<b>804-453</b>	<b>4 x 4"</b>	<b>100 Lbs.</b>	<b>804-450</b>	<b>4 x 4"</b>	<b>100 Lbs.</b>
<b>804-753</b>	<b>4 x 7"</b>	<b>120 Lbs.</b>	<b>804-742</b>	<b>4 x 7"</b>	<b>120 Lbs.</b>
<b>804-553</b>	<b>5 x 7"</b>	<b>120 Lbs.</b>	<b>804-550</b>	<b>5 x 7"</b>	<b>120 Lbs.</b>
2" Extended - Category III			4" Drop - Category III		
P/N	Tool Bar Size	Ship Weight.	P/N	Tool Bar Size	Ship Weight.
<b>804-745</b>	<b>4 x 7"</b>	<b>145 Lbs.</b>	<b>804-454</b>	<b>4 x 4"</b>	<b>215 Lbs.</b>
<b>804-780</b>	<b>7 x 7"</b>	<b>155 Lbs.</b>	<b>804-741</b>	<b>4 x 7"</b>	<b>240 Lbs.</b>
Category II			Combination II & III		
P/N	Tool Bar Size	Ship Weight.	P/N	Tool Bar Size	Ship Weight.
<b>804-221</b>	<b>2-1/4" Dia.</b>	<b>120 Lbs.</b>	<b>804-224</b>	<b>2-1/4" Dia.</b>	<b>100 Lbs.</b>
<b>804-421</b>	<b>4 x 4"</b>	<b>120 Lbs.</b>	<b>804-441</b>	<b>4 x 4"</b>	<b>130 Lbs.</b>
<b>804-721</b>	<b>4 x 7"</b>	<b>140 Lbs.</b>	<b>804-741</b>	<b>4 x 7"</b>	<b>150 Lbs.</b>
<b>804-521</b>	<b>5 x 7"</b>	<b>145 Lbs.</b>	<b>804-541</b>	<b>5 x 7"</b>	<b>155 Lbs.</b>

**Category IV Hitch**

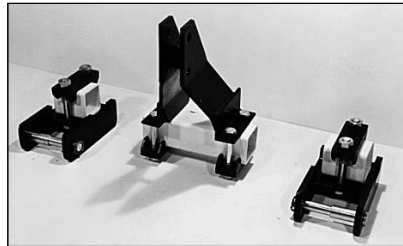
Category IV hitches are designed for the largest, most powerful tractors (up to 300 HP). 2" Lower pins are locked with slotted sleeves. Top link is braced to diamond mast for three bar frames. Call for information concerning three point hitches for use with articulating tractors.



P/N	Tool Bar Size	Ship Weight.
<b>804-744</b>	<b>4 x 7"</b>	<b>165 Lbs.</b>

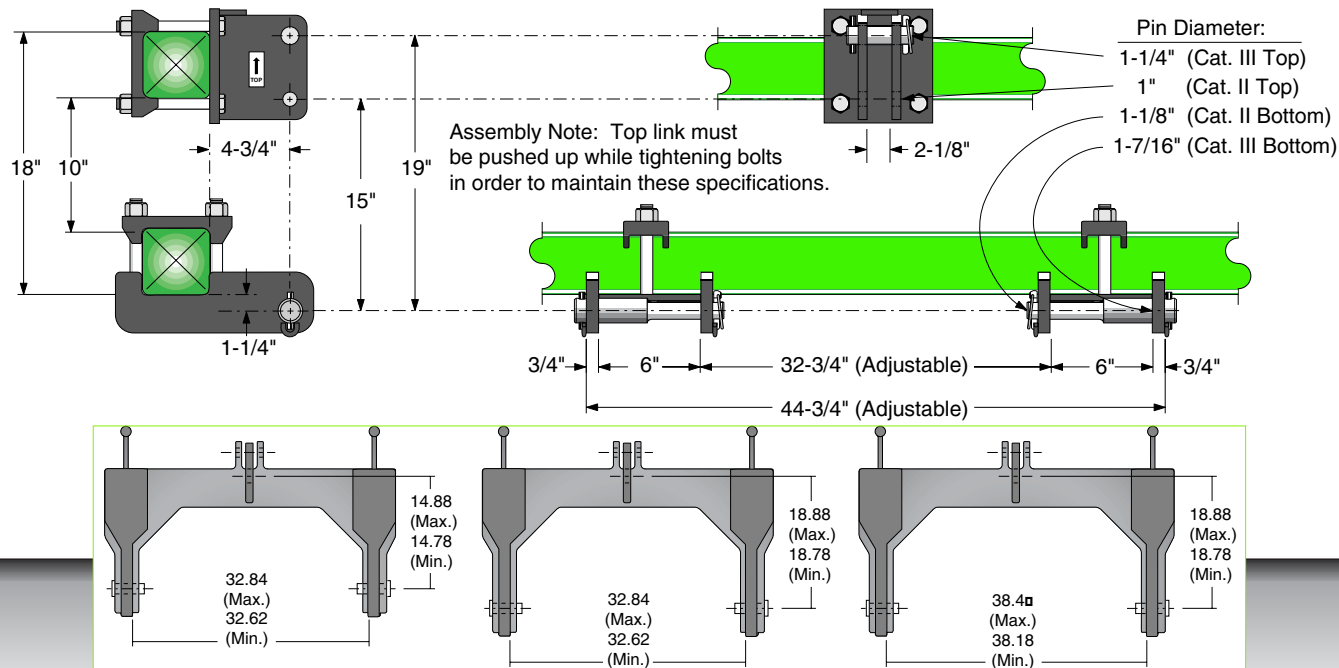
**A-Frame Hitches**

A-frame hitches are designed for tool bars with no top mast. Category II hitch is suitable for tractors up to 100 hp. Combination hitch is suitable for tractors up to 150 hp.



**Specifications:**

Bigham modular three point hitches fit virtually any quick hitch. Below are specifications for a combination II & III hitch mounted on a Bigham tool bar and A.S.A.E. quick hitch specifications. Check dimensions for compatibility with your quick hitch. Note: Vertical hitch dimensions are expressed from center of top pin to center of bottom pin.



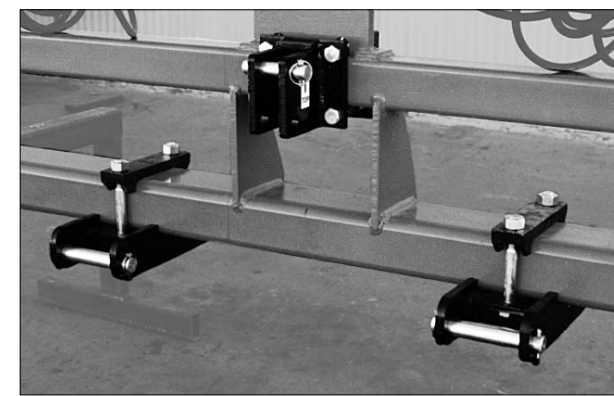
BIGHAM • 705 E. SLATON ROAD • P.O. BOX 3338 • LUBBOCK, TX 79452 • (806) 745-0384  
 1220 EAST DURKEE STREET • CARLISLE, AR 72024 • (870) 552-7517

**Three Point Hitches**

Engineered for strength and durability. Bigham features a wide selection of hitches which attach to virtually any bar and are compatible with any three point lift and virtually every quick hitch. Pull points utilize 3/4" plate steel which wraps around the bar. Higher HP bottoms and all top links fabricated from Formalloy® plate for strength and pin hole integrity. Pins made from Stressproof® steel. Pins, bolts and nuts are zinc plated for rust prevention.

**Category III (Wide & Narrow)**

The category III hitch is suitable for implements behind powerful tractors (up to 200hp) and is available in wide or narrow widths. Category III wide hitches are standard on most whole goods items.

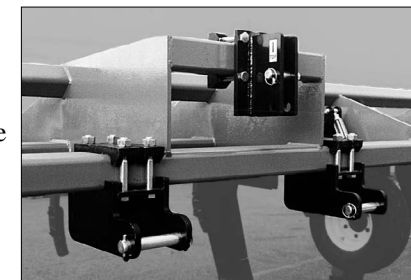


Full clevis pins (1-7/16" lower and 1-1/4" upper) yield greater load capacity.

Wide (6")-Pictured			Narrow (3")		
P/N	Tool Bar Size	Ship Weight.	P/N	Tool Bar Size	Ship Weight.
<b>804-443</b>	<b>4 x 4"</b>	<b>110 Lbs.</b>	<b>804-446</b>	<b>4 x 4"</b>	<b>100 Lbs.</b>
<b>804-743</b>	<b>4 x 7"</b>	<b>125 Lbs.</b>	<b>804-746</b>	<b>4 x 7"</b>	<b>115 Lbs.</b>
<b>804-573</b>	<b>5 x 7"</b>	<b>130 Lbs.</b>	<b>804-576</b>	<b>5 x 7"</b>	<b>120 Lbs.</b>
<b>804-773</b>	<b>7 x 7"</b>	<b>140 Lbs.</b>	<b>804-776</b>	<b>7 x 7"</b>	<b>130 Lbs.</b>

**Drop Hitches**

Drop hitches provide extra ground clearance for implements with long frame attachments. Lower pin center is 5-1/4" below the bottom surface of the frame, 4" lower than standard pin placement. Category III Drop Hitches feature slotted sleeves in order to lock the pin in position and include four 1" grade 5 bolts to mount each pull point. Category III Drop Hitches are standard equipment on Paratills® and similar equipment. Combination hitch is suitable for tractors up to 150 hp. Category III hitch is suitable for tractors up to 250 hp. Formalloy® construction.



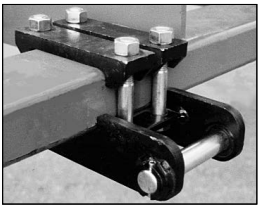
Category III			Combination II & III		
P/N	Tool Bar Size	Ship Weight.	P/N	Tool Bar Size	Ship Weight.
<b>804-448</b>	<b>4 x 4"</b>	<b>215 Lbs.</b>	<b>804-447</b>	<b>4 x 4"</b>	<b>210 Lbs.</b>
<b>804-748</b>	<b>4 x 7"</b>	<b>240 Lbs.</b>	<b>804-747</b>	<b>4 x 7"</b>	<b>235 Lbs.</b>
<b>804-548</b>	<b>5 x 7"</b>	<b>245 Lbs.</b>	<b>804-547</b>	<b>5 x 7"</b>	<b>240 Lbs.</b>
<b>804-778</b>	<b>7 x 7"</b>	<b>255 Lbs.</b>	<b>804-777</b>	<b>7 x 7"</b>	<b>250 Lbs.</b>

Top link pins are not included. See back page for pin requirements.

**Category III - Heavy Duty (Double Cap)**

The Category III heavy duty hitch substitutes for any standard Category III hitch on whole goods with extreme weight or horsepower demands. The heavy duty hitch features grade five mounting bolts, two caps to mount each pull point and sleeves to lock lower pins in position. The Category III heavy duty hitch is suitable for implements behind tractors up to 250hp. Formalloy® construction.

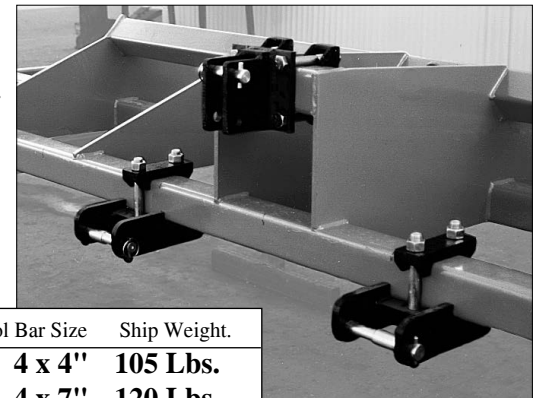
P/N	Tool Bar Size	Ship Weight.
<b>804-443D</b>	<b>4 x 4"</b>	<b>145 Lbs.</b>
<b>804-743D</b>	<b>4 x 7"</b>	<b>165 Lbs.</b>



**Combination II & III**

The combination II & III hitch is convenient to mount on tool bars that might be attached to medium to high horsepower tractors. This modular hitch is suitable for tractors up to 150 hp and is compatible with any Category II or III three point lift. (See diagram for specifications of quick hitches.)

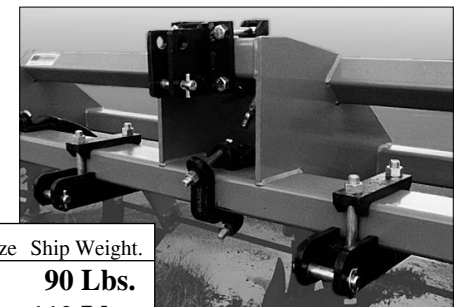
P/N	Tool Bar Size	Ship Weight.
<b>804-440</b>	<b>4 x 4"</b>	<b>105 Lbs.</b>
<b>804-740</b>	<b>4 x 7"</b>	<b>120 Lbs.</b>
<b>804-572</b>	<b>5 x 7"</b>	<b>125 Lbs.</b>
<b>804-772</b>	<b>7 x 7"</b>	<b>130 Lbs.</b>



**Category II**

Category II hitches are available for any tool bar with a top mast and are suitable for tractors up to 100hp.

P/N	Tool Bar Size	Ship Weight.
<b>804-420</b>	<b>4 x 4"</b>	<b>90 Lbs.</b>
<b>804-720</b>	<b>4 x 7"</b>	<b>110 Lbs.</b>
<b>804-570</b>	<b>5 x 7"</b>	<b>115 Lbs.</b>
<b>804-770</b>	<b>7 x 7"</b>	<b>120 Lbs.</b>



Lubbock, Texas (800) 692-4449  
 Carlisle, Arkansas (870) 552-7517  
[www.BighamAg.com](http://www.BighamAg.com)