



Stabilizer Mounted on High Clearance Lister and Over Fold Tool Bar



Eliminate side draft of three point equipment. The Bigham Stabilizer will help the performance of your lister or planter in laying out rows that are straight and help you keep your cultivator true on them. Stabilizers are also critical to operation of three point guidance systems.

Standard Features:

- **Universal Mounting Kit;** The mount assembly is designed to be compatible with virtually any type lister, planter or cultivator. Mount angles are designed to straddle a 1 x 3” shank or disc bedder gang (for 4 x 4” Stabilizers) or mount on top of a high clearance lister beam (4 x 7 & 5 x 7” High Clearance Stabilizers).
- **The extra length of the shank and hub provides better leverage from the tool bar.** (Over 3-1/2 feet from tool bar to the center of the hub) Main arm is constructed from 4 x 4 x 1/4” tube and features heavy Q888 6 hole hub with 2” spindle.
- **Heavy coil spring on screw jack** keeps positive engagement of the blade in the ground but lets the blade ride up over rocks or other obstructions to prevent structural damage (1/4 x 24” or 28” alloy blade; heat treated for durability).

P/N	Description	Blade Diameter	Tool Bar Mount	Approx. Ship Wt.
808-984	Stabilizer	28”	4 x 4”	182 Lbs.
808-987	Stabilizer	28”	4 x 7”	189 Lbs.
808-988	Stabilizer	28”	5 x 7”	194 Lbs.
808-990	Stabilizer	28”	7 x 7”	198 Lbs.
808-991	Stabilizer (Hi-Flow)	28”	7 x 7”	200 Lbs.

Stabilizer Attachments Include: Shank and hub assembly with Q888 6 hole hub; Screw jack with spring; 28” Blade as indicated and Mounting assembly with all hardware as required.

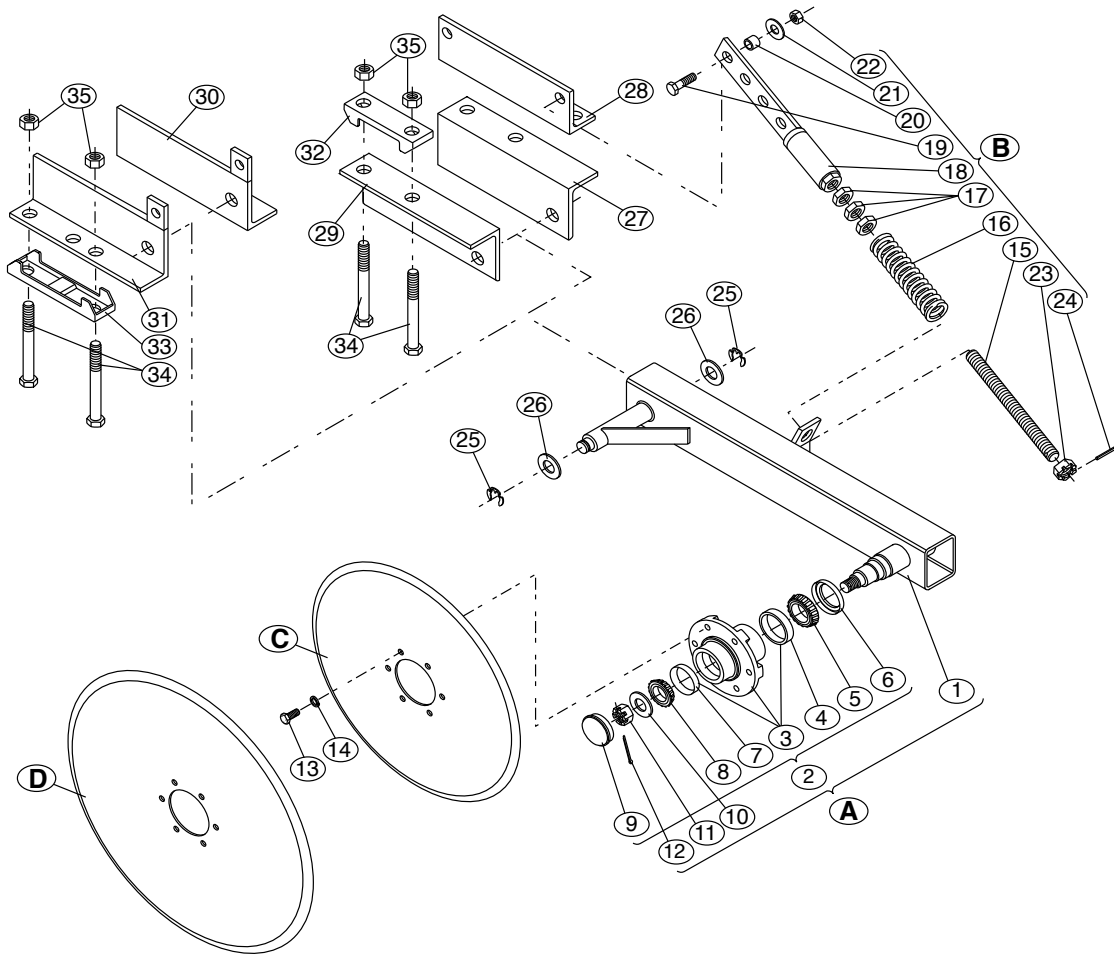
Note: 4 x 7” High Clearance stabilizer may be converted to 5 x 7” mount with use of longer bolts.



Lubbock, Texas (800) 692-4449
 Carlisle, Arkansas (870) 552-7517
www.BighamAg.com

STABILIZER

PARTS BREAKDOWN



REF#	P/N	DESCRIPTION	QTY. REQ. PER ASSY.	REF#	P/N	DESCRIPTION	QTY. REQ. PER ASSY.
A.	706-540	SHANK/HUB ASSY. 6 BOLT HUB		20.	636-310	BUSHING, CRANK MOUNT	1
1.	706-530	SHANK/SPINDLE & SHAFT	1	21.	616-1000Z	WASHER, FLAT ZP 5/8"	1
2.	627-160	HUB ASSY., 6 HOLE Q888	-	22.	611-1001Z	NUT, HEX ZP 5/8"	1
3.	627-159	HUB/CUPS, 6 HOLE Q888	1	23.	614-1609Z	NUT, HEX SLOTTED 1" N.C. 8TPI	1
4.	622-008	CUP, 69310 FOR 69349 BEARING	-	24.	617-060	PIN, ROLL ZP 1/4x1-1/2"	1
5.	622-009	BEARING, TAPER 69349	1	25.	627-025	SNAP RING, 3/4" EXT.	2
6.	623-002	SEAL, 16289 (Q888 HUB)	1	26.	616-1600Z	WASHER, FLAT ZP 1"	2
7.	622-006	CUP, 67010 FOR 67048 BEARING	-	C.	630-046	BLADE, 6 HOLE 24"	-
8.	622-007	BEARING, TAPER 67048	1	D.	630-048	BLADE, 6 HOLE 28"	-
9.	627-560	DUST CAP, Q888 HUB	1	27.	706-440L	BKT., STAB. MOUNT LH 4"	1
10.	616-1400	BUSHING, MACH 10 GA x 7/8"	1	28.	706-444	BKT., STAB CRANK MOUNT	1
11.	614-1407	NUT, HEX SLOTTED 7/8" N.F.	1	29.	706-440R	BKT., STAB. MOUNT RH 4"	1
12.	617-020	PIN, COTTER 5/32 x 1-1/2"	1	30.	706-470L	BKT., STAB. MOUNT 7" H.C. LH	1
13.	602-0804F	BOLT, HCS ZP GR5 1/2 x 1" N.F.	6	31.	706-470R	BKT., STAB. MOUNT 7" H.C. RH	1
14.	615-0800Z	WASHER, LOCK ZP 1/2"	6	32.	628-400	CAP, 4" 7/8 & 1" BOLT HOLES	1
B.	706-500	SCREW JACK ASSY.		33.	628-308	CAP, 7" BAR 1" BOLT HOLE (CAST)	2
15.	636-340	SCREW JACK STUD, 1 x 14-1/2"	1	34.	601-1626Z	BOLT, HCS ZP 1 x 6-1/2"	4
16.	633-030	SPRING	1			(STABILIZERS FOR 4 x 4 AND 4 x 7" TOOL BARS)	
17.	614-1601Z	NUT, HEX JAM ZP 1"	3		601-1630Z	BOLT, HCS ZP 1 x 7-1/2"	4
18.	636-330	SCREW JACK HOUSING	1			(STABILIZERS FOR 5 x 7" TOOL BARS)	
19.	601-1008Z	BOLT, HCS ZP 5/8 x 2"	1	35.	611-1601Z	NUT, HEX ZP 1"	4