

Torsion Spring Mounted Row Chopper

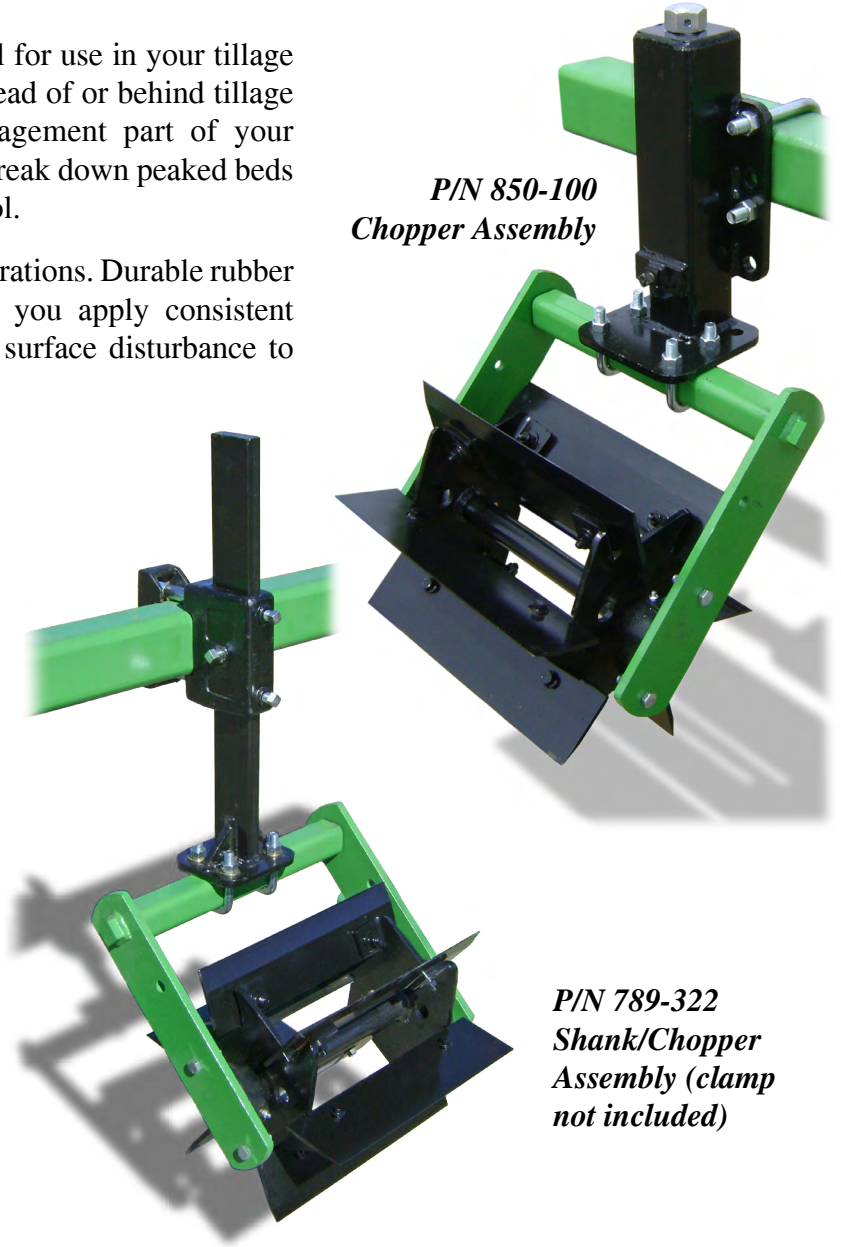
The Bigham Row Chopper is a versatile tool for use in your tillage and cultivation applications. Chop stalks ahead of or behind tillage operations, or as an in-season stalk management part of your cultivation program on strip tilled ground. Break down peaked beds for planting. Break up soil for erosion control.

Row Choppers allow pin-point chopping operations. Durable rubber torsion springs smooth operations and let you apply consistent pressure over uneven ground, from a light surface disturbance to deep, clod pulverizing action.

Standard Features

- Height-adjustable screw jack fits a variety of tool bar sizes.
- Shank mounted version lets you mount closer to obstructions on tool bar. 1x3” clamps available for multiple tool bar sizes.
- Rubber torsion spring yoke gives consistent soil engagement and provides protection against rocks or other obstacles.
- Greaseable sealed flange bearings are designed for high speed performance in harsh field conditions.
- Adjustable U-bolt attached yoke allows close placement of mounting brackets against other tooling on crowded bars.
- Versatile mounting system may be positioned for low clearance or high clearance applications.

*P/N 850-100
Chopper Assembly*



*P/N 789-322
Shank/Chopper
Assembly (clamp
not included)*

P/N	Description	Chopper Width	Tool Bar Mount	Approx. Ship Wt.
850-100	Chopper/Jack Assy., 4x4”	17”	4x4”	175 Lbs.
850-101	Chopper/Jack Assy., 4x7”	17”	4x7”	175 Lbs.
Chopper Assemblies Include: Mount assembly with all required hardware to fit tool bar as specified, jack assembly with spring, arm, yoke, and chopper assembly. All listings are FOB Lubbock, Texas.				
789-322	Shank/17”Chopper Assy., 1x3x26”	17”	Multiple	70 Lbs.
Shank/Chopper Assemblies Include: Shank, yoke, and chopper assembly. Clamps not included. All listings are FOB Lubbock, Texas.				

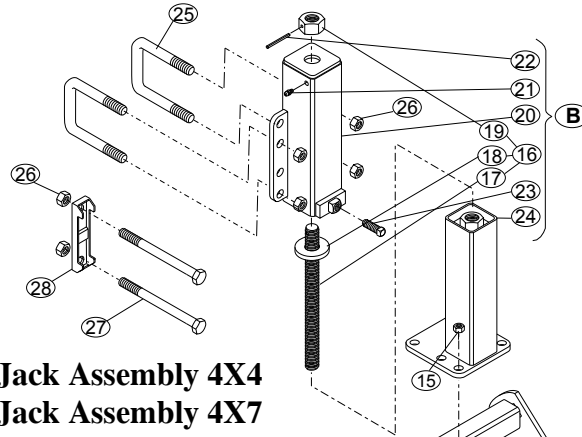


Lubbock, Texas (800) 692-4449
 Carlisle, Arkansas (870) 552-7517
www.BighamAg.com

Torsion Spring Mounted Chopper (Parts Breakdown)

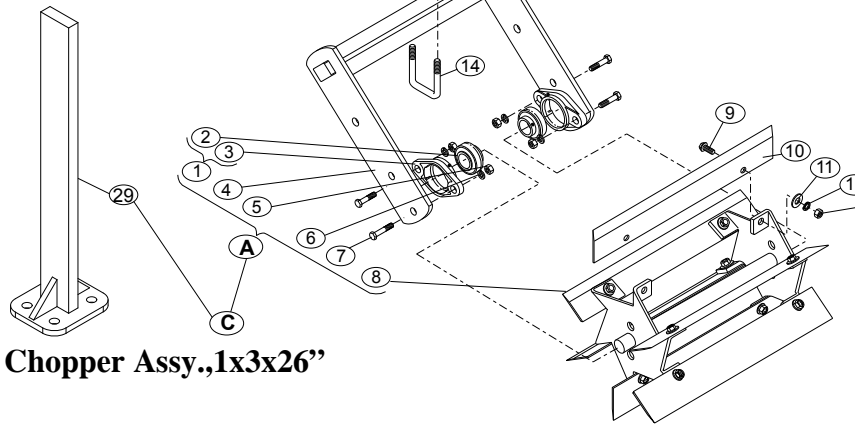
850-100
850-101

Chopper/Jack Assembly 4X4
Chopper/Jack Assembly 4X7



789-322

Shank/17" Chopper Assy., 1x3x26"



Ref.	P/N	Description	Qty Req. Per Assy.	Ref.	P/N	Description	Qty Req. Per Assy.
A.	750-117	Torsion Yoke/17" Roller Assy.		16.	636-352	Screw Jack Stud, Tele Jack	1
1.	622-085	Bearing Assy. 1-1/2"	2	17.	610-2002C	Acme Stud 1-1/4"-5 RH 14-3/8"	-
2.	622-087	Bearing Filler #UG224E3L 1-1/2"	-	18.	309-034	Plate, Shaft Retainer	-
3.	622-090	Housing, 2 Hole Flange CC	-	19.	613-2000	Nut, Hex 1-1/4-5 Acme Nut	-
4.	685-324	Yoke Weldment, 17"	1	20.	636-350	Housing, Telescoping Jack	1
5.	611-0801Z	Nut, Hex ZP 1/2" (Gr5)	4	21.	617-008	Zerk, 1/8 NPT Threaded	-
6.	615-0800Z	Washer, Lock ZP 1/2"	4	22.	617-063	Pin, Roll 3/8" x 1-3/4"	1
7.	602-0808Z	Bolt, HCS 1/2"x2"	4	23.	606-1006Z	Set Screw, Sq HD 5/8" x 1-1/2" ZP	2
8.	708-059	Chopper Reel, 6 BL 17"	1	24.	636-351	Inner Leg, Telescoping Jack	-
		Chopper Reel Parts				For 850-100	
9.	603-0705Z	Bolt, Whizlock 7/16" x 1-1/2" Gr5	12	25.	610-0033	U-Bolt, 3/4" For 4x4" Gr5 ZP	2
10.	691-059	Blade, Stalk Cutter 17"	6	26.	611-1201Z	Nut, Hex ZP 3/4"	4
11.	616-0700Z	Washer, Flat ZP 7/16"	12			For 850-101	
12.	615-0700Z	Washer, Lock ZP 7/16"	12	27.	602-1238Z	Bolt, HCS 3/4"x9-1/2" Gr5 ZP	4
13.	611-0701Z	Nut, Hex ZP 7/16"	12	28.	628-200	Cap, 4" 3/4 Bolt Holes	2
14.	610-0015	U-Bolt, 5/8" For 2-1/4" Sq. Bar	2	C.	789-322	Shank/17" Chopper Assy., 1x3x26"	
15.	611-1001Z	Nut, Hex ZP 5/8"	2	363-354	Shank, Chopper Mount, 1x3x26.5		
B.	706-550	Telescoping Jack Assy., 4&7" Mount				Includes A, 14, 15, 22	
						1x3" clamps not included. See page D-13.	