

Operator's Manual & Repair Parts Manual



**Do Not Use or Operate This Equipment
Until You Have Read and Understand This Manual**



The purpose of this manual is to explain maintenance requirements and adjustments which are necessary for the most efficient operation of the machine. Read this manual thoroughly and completely before using your machine. Keep this manual handy for reference when questions arise.

Should you have questions or difficulties which your dealer or representative are unable to answer, please call or write:

Bigham Ag
1220 E Durkee St
Carlisle, AR 72024

Telephone: (870) 552-7517
Fax: (870) 552-3303



S-Tine Cultivator

Models: ST38FX, ST26F

Dealer Preparation Checklist

Complete the items below before delivering and operating the implement.

- All 3-Point Hitch Pins Installed Properly
- Implement configured to customer's desired row spacing
- Check for sufficient clearance between tractor tires & implement
- All fittings and bearings lubricated
- All wheel nuts checked and tightened on gauge wheels
- Tires inflated to proper pressure
- Hydraulic hoses of proper length for customer's tractor
- All decals in place and readable
- Operator's manual has been delivered to owner and the owner has been instructed on safe and proper use of the implement

Dealer's Signature _____

Customer's Signature _____

This Checklist is to remain in the Owner's Manual

It is the responsibility of the dealer to complete the procedures listed above before the delivery of this implement to the new owner.

A MESSAGE TO THE OWNER AND OPERATOR:

This machine was carefully designed and manufactured to give you dependable service. To keep it running efficiently, read the instructions in this Operator's Manual. Check each item and acquaint yourself with the adjustments required to obtain efficient operation and maximum performance. Remember, the machines performance depends on how you operate and care for it.

After the operating season, thoroughly clean your machine and inspect it. Preventive maintenance saves time and pays dividends. Your dealer has original equipment parts which assure proper fit and best performance. Record the model number, serial number and date of purchase in the space provided on this page. Your dealer needs this information to give you efficient service when you order parts or attachments. The model number and serial number appear on the identification plate on the front left side of the tool bar mast.

The Warranty on your machine is included with this manual. Your dealer will review both this manual and the warranty with you when you take delivery of your machine.

WARRANTY

Bigham Ag warrants all products of its manufacture to be free from defects in materials and workmanship for a period of six months from date of delivery to the retail purchaser. Parts assumed to be defective must be returned F.O.B. Carlisle, AR for our inspection or inspected in the field by our authorized representative. Our obligation under this warranty is limited to replacement or repair of the defective part and does not cover other damages to persons or property. Other than the aforesaid, no warranties of merchantability or fitness for a particular purpose will apply. We do not assume liability for altered or remanufactured components or machines or applications beyond their intended use. Some states do not allow limitation of how long an implied warranty lasts, or exclusions of, or limitations on relief such as incidental or consequential damages, so the above limitations or exclusion may not apply to you. This warranty gives you specific legal rights and you may have other rights which vary from state to state.

Warranty does not cover damage due to abuse, neglect, collision, towing, pulling, normal wear and tear or any other factor beyond the control of the manufacturer. Tool bars that are bent, bowed or that have been welded on or modified in any way are specifically excluded from any warranties.

<p style="text-align: center;">Manufactured By Bigham Brothers Inc. – Carlisle, AR</p> <p>Model # _____</p> <p>Serial # _____</p>

Operator's Responsibility



**Most accidents are caused because of neglect or carelessness.
Avoid needless accidents by following all of the safety precautions listed below.**

The user is responsible for inspecting the unit before each use and for having necessary repairs done to prevent further damage to the unit. It is the responsibility of the user to read the owner's manual and understand the safe and correct operating procedures for this unit.

- The operator of this unit must read and understand the material contained in this manual.
- The unit should be operated by those responsible and authorized by the owner to do so.
- Only a qualified operator should be permitted on the tractor when the implement is in operation. No riders should be allowed on the unit.
- Make certain everyone is clear before folding or unfolding the wings of the folding unit.
- Never allow anyone on the implement for any reason while tractor is running.
- Do not transport the implement on a public road unless the wings of the folding unit are in the transport position. Also, ensure that the slow moving vehicle emblem is in place.
- Carefully maintain control of the implement when traveling on roads. Avoid speeds over 8 MPH and take curves slowly.
- Stop the tractor engine before doing any maintenance or repairs to the unit.
- Use caution when working with the hydraulic system. Hydraulic fluid can be under extreme pressure and can cause infection or other serious personal injury.
- Avoid transporting near electrical lines when the wings of the folding unit are in the folded (up) position. Serious injury or death can result from contact with electrical lines. **USE EXTREME CARE!**
- Make sure your tractor front end has adequate counter-weight.



Failure to properly counter-balance the weight of the S-Tine Cultivator can cause the tractor to overturn resulting in severe injury or death. If you are unsure how much front-end weight to add, consult your dealer.

- Use caution when crossing ditches, levees, etc., or when using on uneven terrain.
- Never allow anyone to play on or around the implement.
- Baskets on the unit can roll and cause injury.
- Use extreme caution when changing bearings or plows. **WORN PLOWS CAN BECOME VERY SHARP.**
- Do not attempt to remove any obstruction while the unit is in operation.

Operating Instructions

- Grease wing hinge pins and bearings daily.
- Extend the wings. Use care when folding and unfolding the wings. Make sure no one is close to the wings. **DO NOT** fold wings when close to any electrical lines. **DO NOT** try to extend or fold the wings while anyone is near the unit.
- Make sure the implement is slightly elevated before raising/lowering wings to ensure the rolling elements and plows do not hit the ground causing possible damage to the baskets, plows, shafts, and/or bearings.
- It is advisable to return the tractor to idle before folding the wings of the implement.
- The unit should run level, adjust rear basket height accordingly.
- Check hydraulic hoses and fittings for leaks and damage.
- Check all wheel lug nuts and spindle retainer bolts for proper tightness.
- Replace 3-point linkage pins with only original Bigham linkage pins. NEVER substitute with other 3-point linkage pins.
- All 3-point linkage pins should be properly secured before attempting to transport the implement.

WHEN ATTACHING QUICK HITCH



Top pin is for stability purposes only and must have sufficient clearance for lower pins to carry weight. If sufficient clearance is not allowed, tractor damage, implement damage or personal injury may occur!!!

Tractor Hook-Up

- Remove or slide the tractor drawbar to one side before hooking the implement to the tractor. The unit has three point linkage hook-up for Cat. 3/4N tractors.



CHECK FOR SUFFICIENT CLEARNACE BETWEEN REAR TRACTOR TIRES AND UNIT.

- Raise and lower the unit slowly with the tractor to check front end stability of the tractor before transporting the unit. Raise and lower the wings before transporting.

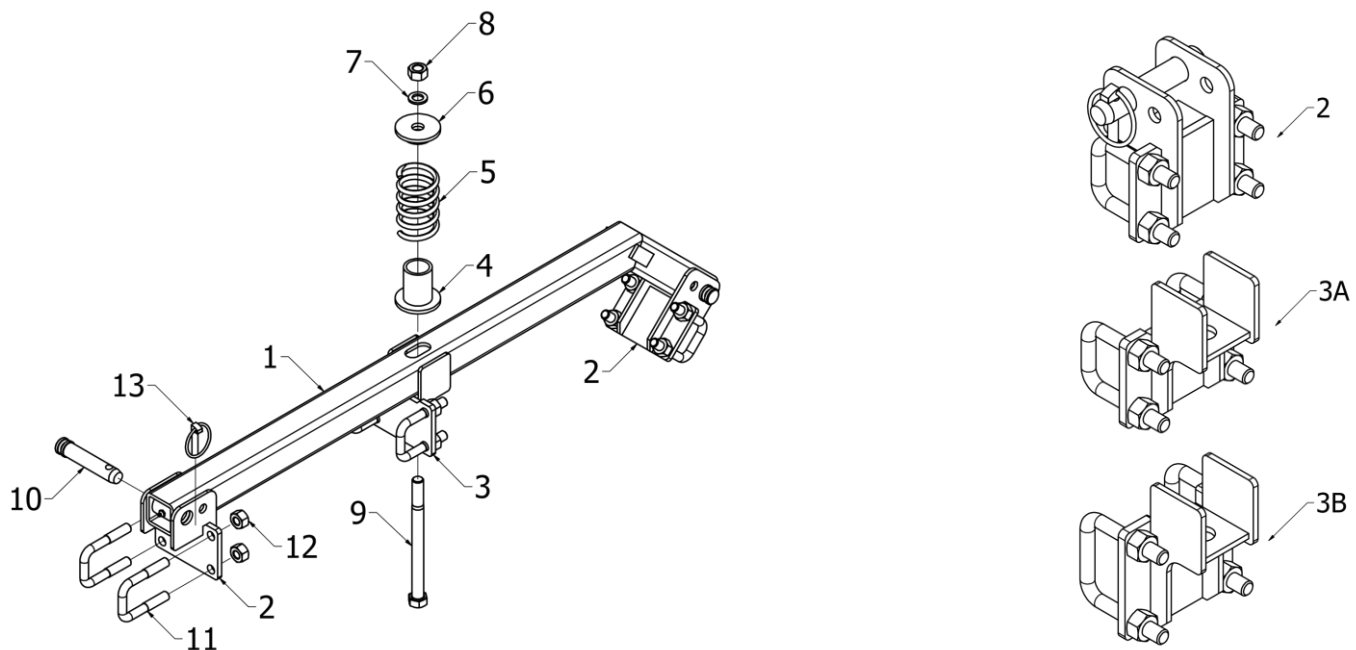


Always check your three point linkage pins connecting the S-Tine Cultivator to the tractor to make sure they are properly secured and not damaged. Failure to properly secure the three point linkage pins could result in serious injury to the operator or damage to the tractor or unit.

Linkage Assembly

Each tumbler linkage assembly is equipped with a heavy duty spring that can be adjusted for vertical basket flexibility. To tighten the spring tension, turn lock nut clockwise; to loosen, turn counterclockwise.

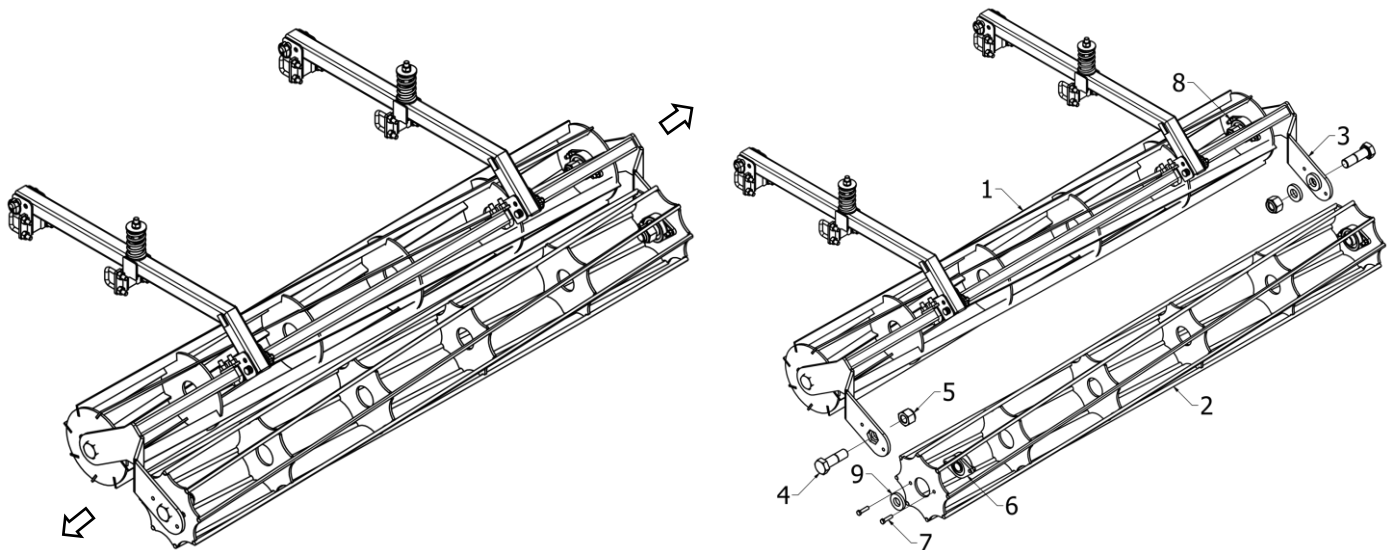
Grease linkage arms daily.



Item	Part #	Description
1	D685-010	Linkage Arm Weldment, ST
2	D685-011	2x2 Bracket Weldment, Walking
3A	D685-014	Spring Bracket, 2x2
3B	D685-012	Spring Bracket, 2x3
4	H685-206	Spring Bushing Wldmnt, Tall
5	H633-400	Spring, Top Auger
6	H685-205	Spring Bushing Ass'y, HC
7	616-1200Z	Washer, Flat 3/4" ZP
8	611-1201Z	Nut, Hex ZP
9	602-1240Z	Bolt, HCS 3/4 x 9.5" GR5 ZP
10	617-164	HC Linkage Pin
11	610-0010	U-Bolt, 5/8 for 2x2 Bar
12	613-1001Z	Nut, Lock 5/8 Nylock
13		

Rear Tumbler Basket Assembly

The rear tumbler basket assemblies consist of an A-frame, (1) flat bar tumbler basket, and (1) round bar tumbler basket. The tumbler baskets can be shifted horizontally by removing the 1/2 x 4-1/2" bolts and sliding in the desired direction. Grease bearings daily.



Item	Part #	Description
1	See Table 7	Rear Basket, Round Bar
2	See Table 8	Rear Basket Flat Bar
3	See Table 9	A-Frame Weldment
4	602-2420Z	Bolt, HCS 1-1/2 x 5.00" GR 5 ZP
5	613-2400Z	Nut, Hex 1-1/2" Nylock ZP
6	622-084	Bearing Assembly, 1-1/2" Flange
7	602-0808Z	Bolt, HCS 1/2 x 2.0" GR 5 ZP
8	613-0800Z	Nut, Hex 1/2 Nylock ZP
9	H312-001	Bushing, HC Tumbler Bolt

Table 7 – Rear Baskets, Round Bar

	Center	Wing
ST38FX	D785-233 (119.5")	D785-232 (103.0")
ST26F	D785-231 (70.5")	D785-230 (85.5")

Table 8 – Rear Baskets, Flat Bar

	Center	Wing
ST38FX	D785-223 (119.5")	D785-222 (103.0")
ST26F	D785-221 (70.5")	D785-220 (85.5")

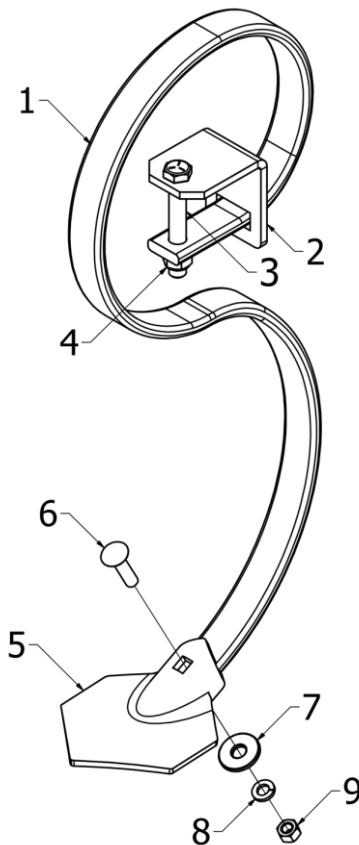
Table 9 – A-Frame Weldments

	Center	Wing
ST38FX	D785-213 (119.5")	D785-212 (103.0")
ST26F	D785-211 (70.5")	D785-210 (85.5")

Table 10 – Rear Tumbler Assemblies, Double Includes Double Flat Bar Baskets

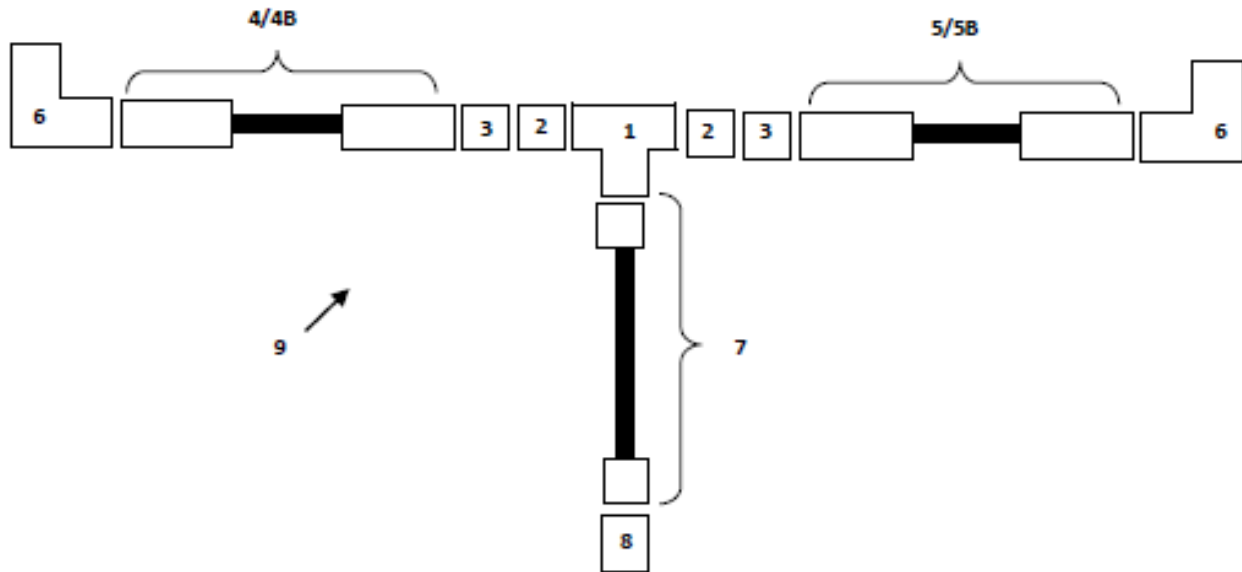
	Center	Wing
ST38FX	H785-200	H785-205
ST26F	H785-201	H785-201

Plow Assemblies



Item	Part #	Description
1	631-099	Shank, Danish Tine
2A	D709-009	Toolbar Clamp, S-Tine 2x2 Bar
2B	D709-008	Toolbar Clamp, S-Tine 2x3 Bar
3	602-0814Z	Bolt, Hex 1/2 x 3-1/2 GR5 ZP
4	613-0800Z	Nut, Lock 1/2 Nylock
5	630-405	Sweep, 4" Goosefoot for S-Tine
5B	630-402	Sweep, 2-3/4" for S-Tine
6	608-0606Z	Bolt, Elliptic 3/8 x 1-1/2
7	616-0600Z	Washer, 3/8 Flat
8	615-0600Z	Washer, 3/8 Lock
9	611-0601Z	Nut, 3/8 He
Complete	D870-001	S-Tine Assembly, 16" for 2x2 Bar, 2-3/4" Sweep

Hydraulic Assembly



ST38FX

Item	Part #	Description
1	621-118	Fitting, Tee 8MJ
2	621-105	Nut, 3-Piece 1/2"
3	621-104	Reducer, 8FJ to 6MJ
4	D621-045	1/4" Cylinder Line Assembly, 45" Length
4B	D621-095	1/4" Cylinder Line Assembly, 95" Length
5	D621-050	1/4" Cylinder Line Assembly, 50" Length
5B	D621-100	1/4" Cylinder Line Assembly, 100" Length
6	621-054	3/8" MJIC x 1/2" Male 90Deg Elbow
7	D621-060	1/2" Line Assembly, 60" Length
8	H621-145	Hydraulic Coupling, Quick Disconnect
9	D621-001	Hydraulic Assembly, Complete

ST26F

Item	Part #	Description
1	621-118	Fitting, Tee 8MJ
2	621-105	Nut, 3-Piece 1/2"
3	621-104	Reducer, 8FJ to 6MJ
4	D621-045	1/4" Cylinder Line Assembly, 45" Length
4B	D621-061	1/4" Cylinder Line Assembly, 60" Length
5	D621-050	1/4" Cylinder Line Assembly, 50" Length
5B	D621-075	1/4" Cylinder Line Assembly, 75" Length
6	621-054	3/8" MJIC x 1/2" Male 90DEG Elbow
7	D621-060	1/2" Line Assembly, 60" Length
8	H621-145	Hydraulic Coupling, Quick Disconnect
9	D621-002	Hydraulic Assembly, Complete ST26F

Quick Reference Parts List

Gauge Wheel Assemblies

D855-790	High Clearance Gauge Wheel Assembly	(ST38FX)
D805-001	Gauge Wheel Assembly, ST	
D805-002	Gauge Wheel, ST26 FOR 4x6	(ST26F)

Bearings

622-084	Bearing, Flange 1.50" 2-Bolt	
---------	------------------------------	--

Cylinders

619-420	Cylinder, Hydraulic 4 x 48" Tie Rod	(ST38FX)
H619-408	Cylinder, Hydraulic 4 x 8" Tie Rod	(ST26F)
617-188	Pin, Clevis 1.00 x 4.44 Effective Length	(ST38FX)
617-0053	Pin, Roll 7/16 x 2.25	

Hitch Pins

H617-196C	Hitch Pin, Lower	(ST38FX)
H617-254	Bushing, Lower CAT3 to CAT4	(ST38FX)
H617-191C	Hitch Pin, CAT4	(ST38FX)
H312-404	Bushing, Top CAT3 to CAT4	(ST38FX)
H617-190C	Hitch Pin, CAT3	(ST38FX)
D617-193	Pin, Clevis CAT2/3 Bottom 7-1/8 Useable	(ST26F)
D617-164	Pin, Clevis CAT2 Top Link	(ST26F)
D617-190	Pin, Clevis CAT3 Top BP/SC	(ST26F)
D617-194	Bushing, CAT3-2 Lift Arm 3.25"	(ST26F)

Hinge Pins

D617-300C	Pin, Clevis 1-7/16" x 4-1/2" Useable	(ST26F)
D617-301C	Pin, Clevis 1-7/16" x 2-3/4" Useable	(ST26F)

Clamps

D709-009	Toolbar Clamp, S-Tine 2x2	
D709-010	Toolbar Clamp, S-Tine 2x3	

Plow Assemblies

D870-001	S-Tine Assembly, 16" for 2x2 Bar	
----------	----------------------------------	--

Hydraulic Assembly

D621-001	Hydraulic Assembly, BedPrep/ST	(ST38FX)
D621-002	Hydraulic Assembly, Complete	(ST26F)

Rear Wing Support Assembly

D636-001	Wing Support	(ST38FX)
----------	--------------	----------

