

OWNER'S MANUAL

Hipper Implement

Hipper Chopper®
Hipper Tumbler®
Hipper Roller®



1220 E Durkee Street, Carlisle, AR 72024
870-552-7517
870-552-3303
BighamAg.com

A black silhouette of a person sitting and reading an open book. The book is held up in front of them.	<p>⚠ WARNING</p> <p>To Prevent Serious Injury or Death</p> <ul style="list-style-type: none">• Avoid unsafe operation or maintenance.• Do not operate or work on this machine without reading and understanding the operator's manual.• If manual is lost, contact your nearest dealer for a new manual. <p>1</p>
--	--

TABLE OF CONTENTS

WARRANTY.....	1
INTRODUCTION.....	2
SAFETY.....	3
SAFETY SIGNAL WORDS.....	3
GENERAL SAFETY GUIDELINES.....	4
SAFETY SIGN LOCATIONS.....	5
SAFETY DECAL CARE.....	8
TIRE SAFETY.....	8
LIGHTING AND MARKING.....	9
PERSONAL PROTECTIVE EQUIPMENT.....	10
BEFORE OPERATION.....	10
DURING OPERATION.....	11
HIGHWAY AND TRANSPORTATION OPERATIONS.....	12
FOLLOWING OPERATION.....	13
PERFORMING MAINTENANCE.....	14
LINKAGE ASSEMBLY	16
CHOPPER BASKET ASSEMBLIES.....	17
TUMBLER BASKET ASSEMBLIES.....	18
ROLLER DRUMS.....	19
REAR TUMBLER BASKET ASSEMBLIES.....	21
PLOW ASSEMBLIES.....	25
GAUGE WHEEL ASSEMBLY.....	31
HYDRUALIC FLUID AND EQUIPMENT SAFETY.....	32
QUICK REFERENCE PARTS LIST.....	35

BIGHAM AG EQUIPMENT

A MESSAGE TO THE OWNER AND OPERATOR:

This machine was carefully designed and manufactured to give you dependable service. To keep it running efficiently, read the instructions in this Operator's Manual. Check each item and acquaint yourself with the adjustments required to obtain efficient operation and maximum performance. Remember, the machines performance depends on how you operate and care for it.

After the operating season, thoroughly clean your machine and inspect it. Preventive maintenance saves time and pays dividends. Your dealer has original equipment parts which assure proper fit and best performance. Record the model number, serial number and date of purchase in the space provided on this page. Your dealer needs this information to give you efficient service when you order parts or attachments. The model number and serial number appear on the identification plate on the front left side of the tool bar mast.

The Warranty on your machine is included with this manual. Your dealer will review both this manual and the warranty with you when you take delivery of your machine.

WARRANTY

Bigham Ag warrants all products of its manufacture to be free from defects in materials and workmanship for a period of six months from date of delivery to the retail purchaser. Parts assumed to be defective must be returned F.O.B. Carlisle, AR for our inspection or inspected in the field by our authorized representative. Our obligation under this warranty is limited to replacement or repair of the defective part and does not cover other damages to persons or property. Other than the aforesaid, no warranties of merchantability or fitness for a particular purpose will apply. We do not assume liability for altered or remanufactured components or machines or applications beyond their intended use. Some states do not allow limitation of how long an implied warranty lasts, or exclusions of, or limitations on relief such as incidental or consequential damages, so the above limitations or exclusion may not apply to you. This warranty gives you specific legal rights and you may have other rights which vary from state to state.

Warranty does not cover damage due to abuse, neglect, collision, towing, pulling, normal wear and tear or any other factor beyond the control of the manufacturer. Tool bars that are bent, bowed or that have been welded on or modified in any way are specifically excluded from any warranties.

Manufactured By
Bigham Brothers Inc. – Carlisle, AR

Model # _____

Serial # _____

INTRODUCTION

Thank you for purchasing a Bigham Hipper tillage implement. We hope you will get many years of productive use from it. The Hipper can simultaneously prepare seed beds, shape furrows, and form drainage or irrigation in a single pass.

This implement is designed to be pulled by a ROPS protected tractor of proper size.

All product users must read and understand this manual prior to equipment operation. This manual is considered part of your machine and should always remain with the machine. Do not allow anyone to operate or maintain this equipment who has not fully read and comprehended this manual. Failure to follow the recommended procedures may result in personal injury or death or equipment damage.

Information in this manual is designed to help owners and operators to obtain the best results and safe operation from their investment. The life of any machine depends largely on the care it is given and we suggest that the manual should be read and understood and referred to frequently. If for any reason you do not understand the instructions and safety requirements, please contact your authorized dealer. The intent of this manual is to provide guidelines to cover general use and to assist in avoiding accidents and injuries.

There may be times when circumstances occur that are not covered in the manual. At those times it is best to use common sense and contact your authorized dealer or our factory.

The requirements of safety cannot be emphasized enough in this publication. We urge you to make safety your top priority when using and maintaining the equipment. We strongly advise that anyone allowed to operate this equipment be thoroughly trained and tested, to prove they understand the fundamentals of safe operation.

Some photographs, diagrams or illustrations in this manual may show doors, guards and shields opened or removed to aid in clarity and understanding of a particular procedure. All guards, shields and safety devices must be in their proper position prior to operation.



SAFETY

Read and understand this manual and all safety signs before operating and maintaining. Review the safety instructions and precautions annually.

TAKE NOTE! THIS SAFETY ALERT SYMBOL FOUND THROUGHOUT THIS MANUAL IS USED TO CALL YOUR ATTENTION TO INSTRUCTIONS INVOLVING YOUR PERSONAL SAFETY AND THE SAFETY OF OTHERS. FAILURE TO FOLLOW THESE INSTRUCTIONS CAN RESULT IN INJURY OR DEATH.



THIS SYMBOL MEANS:

ATTENTION!




BECOME ALERT!

YOUR SAFETY IS INVOLVED!



SAFETY SIGNAL WORDS

Note the use of the signal words **DANGER**, **WARNING** and **CAUTION** with the safety messages. The appropriate signal word for each has been selected using the following guidelines:

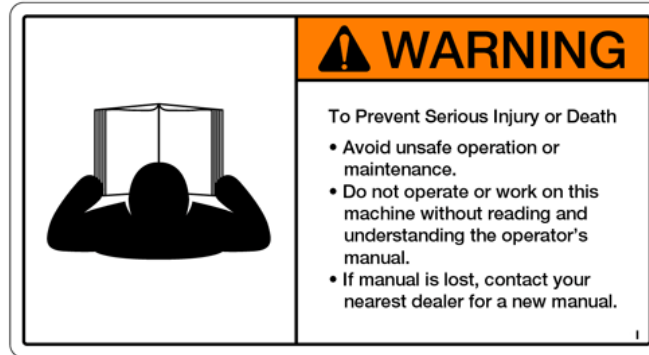
-  **DANGER:** Indicates an imminently hazardous situation that, if not avoided, will result in death or serious injury. This signal word is to be limited to the most extreme situations typically for machine components which, for functional purposes, cannot be guarded.
-  **WARNING:** Indicates a potentially hazardous situation that, if not avoided, could result in death or serious injury, and includes hazards that are exposed when guards are removed. It may also be used to alert against unsafe practices.
-  **CAUTION:** Indicates a potentially hazardous situation that, if not avoided, may result in minor or moderate injury. It may also be used to alert against unsafe practices.

NOTICE is used to address safety practices not related to personal safety.





GENERAL SAFETY GUIDELINES



Safety of the operator and any bystanders is one of the main concerns in designing and developing a new piece of equipment. Designers and manufacturers build in as many safety features as possible. However, every year many accidents occur which could have been avoided by a few seconds of thought and a more careful approach to handling equipment. You, the operator, can avoid many accidents by observing the following precautions in this section. To avoid personal injury, study the following precautions and insist those working with you, or for you, follow them.

Replace any CAUTION, WARNING, DANGER or instruction safety decal that is not readable or is missing. Location of such decals is indicated in this booklet.

Do not attempt to operate this equipment under the influence of drugs or alcohol. Do not use the equipment if alertness or coordination is impaired.

Review the safety instructions with all users annually.

This equipment is dangerous to children and persons unfamiliar with its operation. The operator should be a responsible adult familiar with farm machinery and trained in this equipment's operations. **Do not allow persons to operate or assemble this unit until they have read this manual and have developed a thorough understanding of the safety precautions and of how it works.**

Do not read, eat, drink, talk or text or use a mobile phone while using this equipment.

To prevent injury or death, use a tractor equipped with a Roll Over Protective System (ROPS). Do not paint over, remove or deface any safety signs or warning decals on your equipment. Observe all safety signs and practice the instructions on them.

Never exceed the limits of a piece of machinery. If its ability to do a job, or to do so safely, is in question – **DO NOT TRY IT.**

Stay clear of any moving parts, such as shafts, couplings and universal joints.

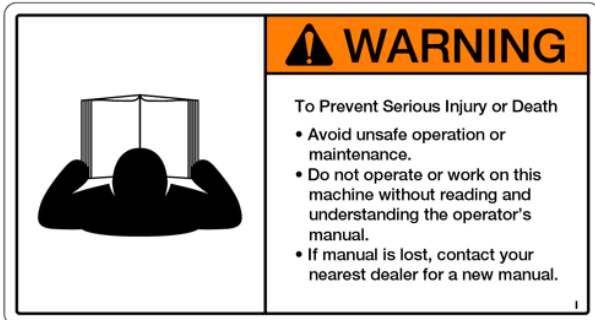
Do not allow anyone to ride on any part of the equipment for any reason.

Assure that all bystanders are at a safe distance before operating or maintaining this equipment.

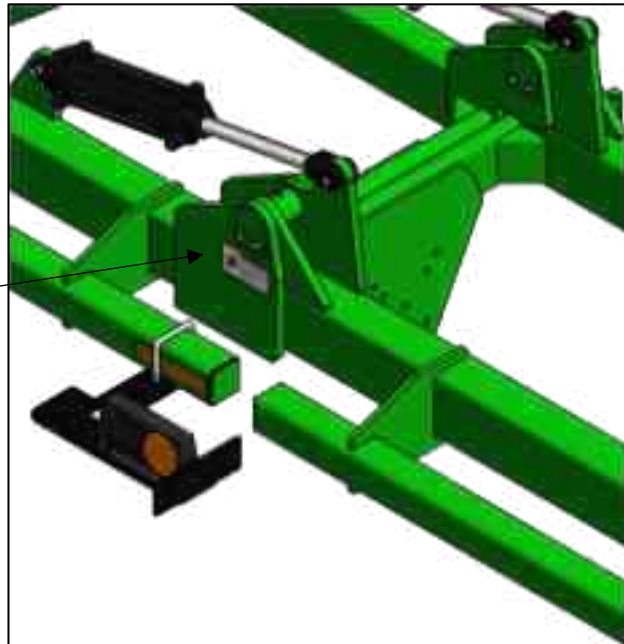
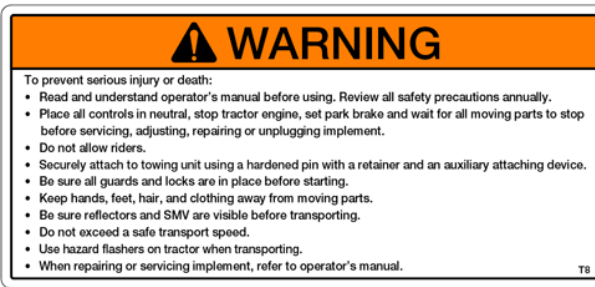


SAFETY SIGN LOCATIONS

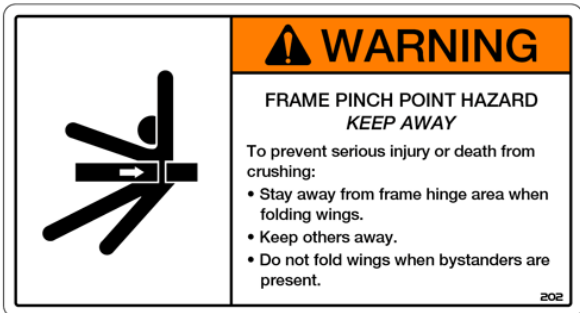
Safety Sign location is shown below.




Front of Toolbar, End of LH Wing



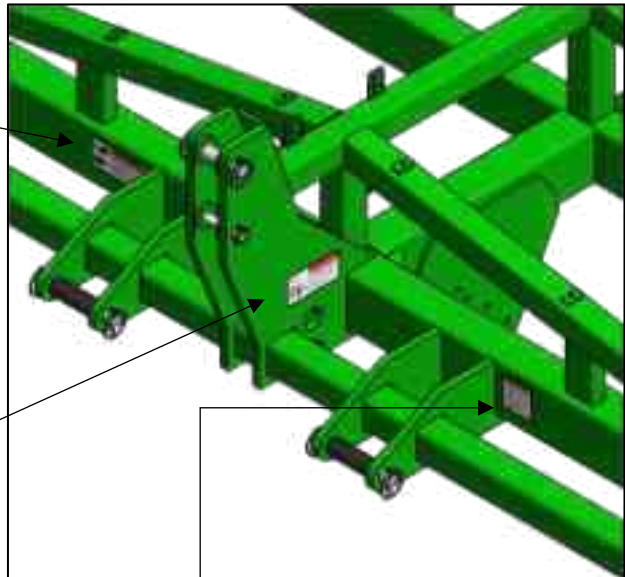
Front of Toolbar, LH Hinge




	⚠ WARNING
	<p>HIGH-PRESSURE FLUID HAZARD</p> <p>To prevent serious injury or death:</p> <ul style="list-style-type: none"> • Relieve pressure on hydraulic system before servicing or disconnecting hoses. • Wear proper hand and eye protection when searching for leaks. Use wood or cardboard instead of hands. • Keep all components in good repair.

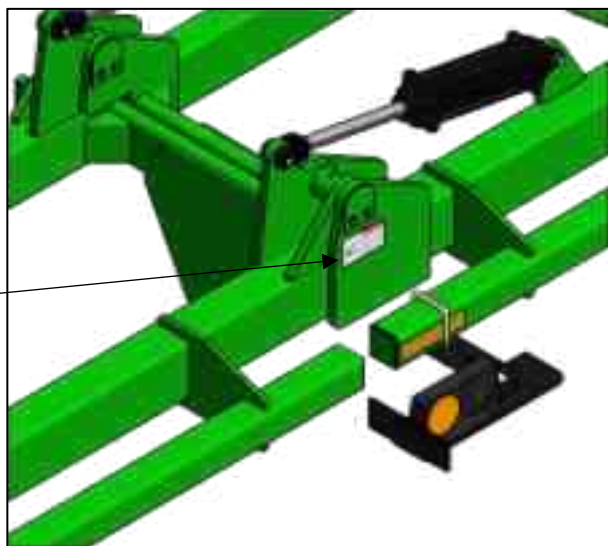
	⚠ DANGER
	<p>CRUSHING HAZARD</p> <p>To prevent serious injury or death:</p> <ul style="list-style-type: none"> • Do not stand between implement and moving tractor. • Stop tractor engine and set park brake before installing pins.

⚠ WARNING	
<p>MOVING PART HAZARD</p>	
<p>To prevent serious injury or death from moving parts:</p> <ul style="list-style-type: none"> • Close and secure guards and shields before starting. • Keep hand, feet, hair and clothing away from moving parts. • Disconnect and lockout power source before adjusting or servicing. • Do not stand or climb on machine when operating. 	

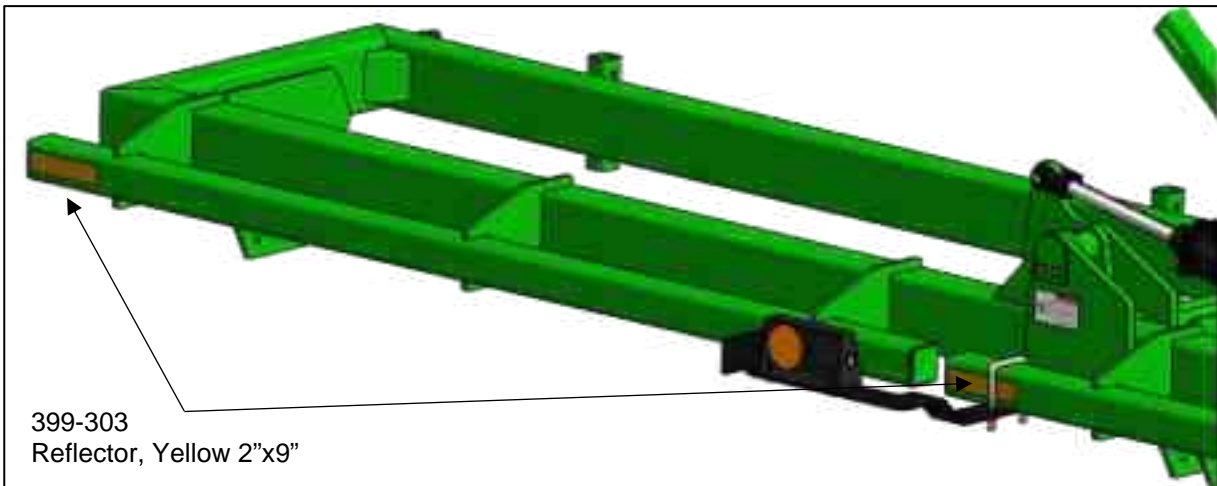


3-Point Hitch

	⚠ DANGER
	<p>ELECTROCUTION HAZARD</p> <p>To prevent serious injury or death:</p> <ul style="list-style-type: none"> • Stay away from power lines when transporting, extending or folding implement. • Electrocution can occur without contacting power lines.

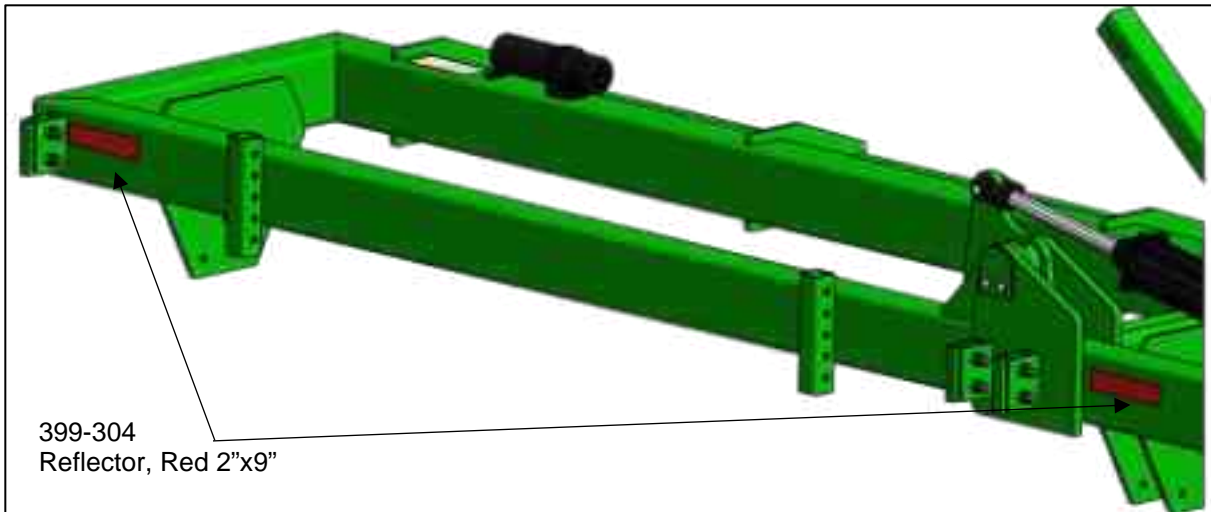


Front of Toolbar, RH Hinge



399-303
Reflector, Yellow 2"x9"

Front of Toolbar, End of Wing & Center



399-304
Reflector, Red 2"x9"

Rear of Toolbar, End of Wing & Center



399-300
Sign, SMV 2-Hole Galvanized

Rear of Toolbar, Center Frame

REMEMBER: If Safety Signs have been damaged, removed, become illegible or parts replaced without decals, new decals must be applied. New decals are available from your authorized distributor or factory.



SAFETY DECAL CARE

- Keep safety signs clean and legible at all times.
- Replace safety signs that are missing or have become illegible.
- Replaced parts that displayed a safety sign should also display the current sign.
- Safety signs are available from your Distributor or Dealer Parts Department or the factory.

How to Install Safety Signs:

- Be sure that the installation area is clean and dry.
- Decide on the exact position before you remove the backing paper.
- Remove the smallest portion of the split backing paper.
- Align the decal over the specified area and carefully press the small portion with the exposed sticky backing in place.
- Slowly peel back the remaining paper and carefully smooth the remaining portion of the decal in place.
- Small air pockets can be pierced with a pin and smoothed out using the piece of decal backing paper.



TIRE SAFETY



- Failure to follow proper procedures when mounting a tire on a wheel or rim can produce an explosion which may result in serious injury or death.
- Do not attempt to mount a tire unless you have the proper equipment and experience to do the job.
- Inflating or servicing tires can be dangerous. Whenever possible, trained personnel should be called to service and/or mount tires.
- Always order and install tires and wheels with appropriate capacity to meet or exceed the anticipated weight to be placed on the equipment.
- Tire changing can be dangerous and should be performed by trained personnel using the correct tools and equipment.

- When inflating tires, use a clip-on chuck extension hose long enough to allow you to stand to one side NOT in front of or over the tire assembly. Use a safety cage if available.
- When removing and installing wheels, use wheel handling equipment adequate for the weight involved.
- The rims and tires should be mounted on the feeder with the valve stem to the inside. We use reverse disc rims as a protection that livestock do not step on the valve stems and break them off. Be sure you have proper tire pressure and the lug nuts are properly tightened. Check wheel bearings on a regular basis and grease semiannually.



LIGHTING AND MARKING

- It is the responsibility of the customer to know the lighting and marking requirements of the local highway authorities and to install and maintain the equipment to provide compliance with the regulations. Add extra lights when transporting at night or during periods of limited visibility.
- Lighting kits ship standard with each unit from the Bigham factory.
- An SMV emblem ships standard on each unit from the Bigham factory. Always ensure the emblem is in place when transporting on public roadways. Keep it clean and bright.



PERSONAL PROTECTIVE EQUIPMENT



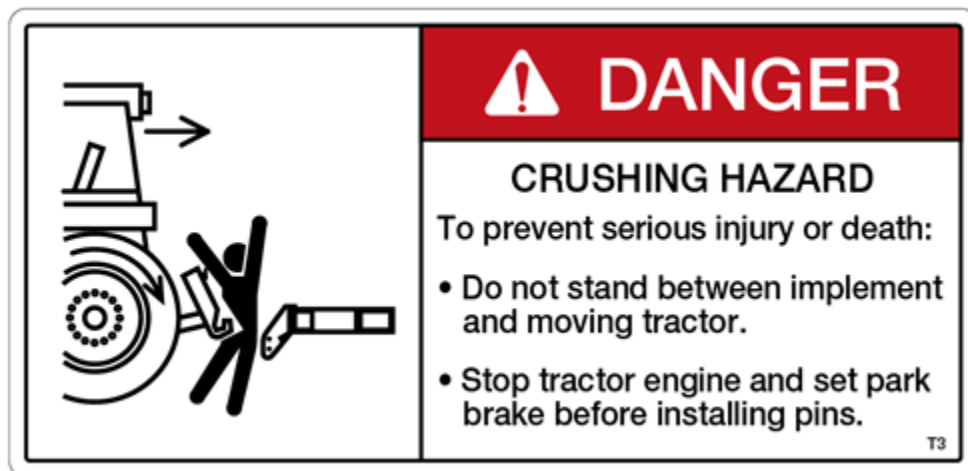
- Wear protective clothing and equipment appropriate for the job, such as safety shoes, safety glasses, hard hat and ear plugs.
- Clothing should fit snug without fringes or pull strings to avoid entanglement with moving parts.
- Prolonged exposure to loud noise can cause hearing impairment or hearing loss. Wear suitable hearing protection such as ear muffs or earplugs.
- Operating equipment requires the operator's full attention. Avoid wearing radio headphones or earbuds while operating equipment.



BEFORE OPERATION

- Carefully study and understand this manual.
- Do not wear loose-fitting clothing which may catch in moving parts.
- Always wear protective clothing and substantial shoes.
- Keep wheel lug nuts or bolts tightened to specified torque.
- Assure that agricultural implement tires are inflated evenly.
- Give the unit a visual inspection for any loose bolts, worn parts or cracked welds, and make necessary repairs. Follow the maintenance safety instructions included in this manual.
- Be sure that there are no tools lying on or in the equipment.
- Do not use the unit until you are sure that the area is clear, especially children and animals.
- Don't hurry the learning process or take the unit for granted. Ease into it and become familiar with your new equipment.
- Practice operation of your equipment and its attachments. Completely familiarize yourself and other operators with its operation before using.

- Use a tractor equipped with a Roll Over Protective System (ROPS) and fasten your seat belt prior to starting the engine.



DURING OPERATION

- Children should never be allowed on the equipment.
- Never carry riders or allow children to operate equipment.
- Clear the area of small children and bystanders before moving the equipment.
- Securely attach equipment to towing unit, using a hardened 3/4" pin, a metal retainer, and safety chains if required. Shift towing unit to a lower gear before going down steep downgrades, thus using the engine as a retarding force. Keep towing vehicle in gear at all times. Slow down for corners and rough terrain.
- Make sure you are in compliance with all local and state regulations regarding transporting equipment on public roads and highways. Lights and slow moving signs must be clean and visible by overtaking or oncoming traffic when feeder is transported.
- SAFETY CHAIN - If equipment is going to be transported on a public highway, a safety chain should be obtained and installed. Always follow state and local regulations regarding a safety chain and auxiliary lighting when towing farm equipment on a public highway. Be sure to check with local law enforcement agencies for your own particular regulations. Only a safety chain (not an elastic or nylon/plastic tow strap) should be used to retain the connection between the towing and towed machines in the event of separation of the primary attaching system.
- Install the safety chain by crossing the chains under the tongue and secure to the draw bar cage or hitch or bumper frame.
- Beware of bystanders, **particularly children!** Always look around to make sure that it is safe to start the engine of the towing vehicle or move the unit. This is particularly important with higher noise levels and quiet cabs, as you may not hear people shouting.
- **NO PASSENGERS ALLOWED** - Do not carry passengers anywhere on, or in, the tractor or equipment, except as required for operation.
- Keep hands and clothing clear of moving parts.
- Always keep all shields and guards in place and securely fastened.

- Do not clean, lubricate or adjust your equipment while it is moving.
- When halting operation, even periodically, set the tractor or towing vehicle brakes, disengage the PTO, shut off the engine and **remove the ignition key**.
- Be especially observant of the operating area and terrain - watch for holes, rocks or other hidden hazards. Always inspect the area prior to operation.
 - **DO NOT** operate near the edge of drop-offs or banks.
 - **DO NOT** operate on steep slopes as overturn may result.
 - Operate up and down (not across) intermediate slopes. Avoid sudden starts and stops.



HIGHWAY AND TRANSPORT OPERATIONS

- Adopt safe driving practices:
 - Keep the brake pedals latched together at all times. **NEVER USE INDEPENDENT BRAKING WITH MACHINE IN TOW AS LOSS OF CONTROL AND/OR UPSET OF UNIT CAN RESULT.**
 - Always drive at a safe speed relative to local conditions and ensure that your speed is low enough for an emergency stop to be safe and secure. Keep speed to a minimum.
 - Reduce speed prior to turns to avoid the risk of overturning.
 - Avoid sudden uphill turns on steep slopes.
 - Always keep the tractor or towing vehicle in gear to provide engine braking when going downhill. Do not coast.
 - Do not drink and drive!
- Comply with state and local laws governing highway safety and movement of farm machinery on public roads.
- Use approved accessory lighting flags and necessary warning devices to protect operators of other vehicles on the highway during daylight and nighttime transport. Various safety lights and devices are available from your dealer.
- The use of flashing amber lights is acceptable in most localities. However, some localities prohibit their use. Local laws should be checked for all highway lighting and marking requirements.
- When driving the tractor and equipment on the road or highway under 40 kph (20 mph) at night or during the day, use flashing amber warning lights and a slow moving vehicle (SMV) identification emblem.
- Plan your route to avoid heavy traffic.
- Be a safe and courteous driver. Always yield to oncoming traffic in all situations, including narrow bridges, intersections, etc.
- Be observant of bridge loading ratings. Do not cross bridges rated lower than the gross weight as which you are operating.

- Watch for obstructions overhead and to the side while transporting.
- Always operate equipment in a position to provide maximum visibility at all times. Make allowances for increased length and weight of the equipment when making turns, stopping the unit, etc.
- Pick the levellest possible route when transporting across fields. Avoid the edges of ditches or gullies and steep hillsides.
- Be extra careful when working on inclines.
- Maneuver the tractor or towing vehicle at safe speeds.
- Avoid overhead wires or other obstacles. Contact with overhead lines could cause serious injury or death.
- Avoid loose fill, rocks and holes; they can be dangerous for equipment operation or movement.
- Allow for unit length when making turns.
- Operate the towing vehicle from the operator's seat only.
- Never stand alongside of unit with engine running or attempt to start engine and/or operate machine while standing alongside of unit.
- Never leave running equipment attachments unattended.
- As a precaution, always recheck the hardware on equipment following every 100 hours of operation. Correct all problems. Follow the maintenance safety procedures.



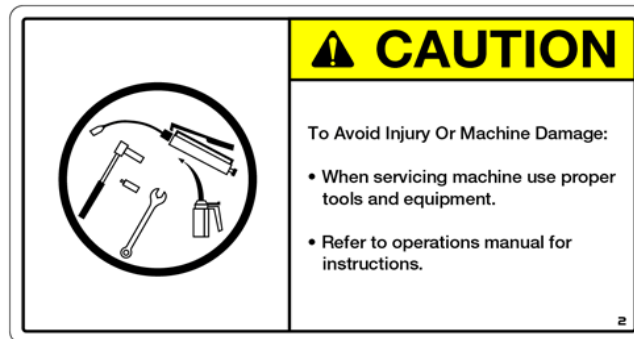
FOLLOWING OPERATION

- Following operation, or when unhitching, stop the tractor or towing vehicle, set the brakes, disengage the PTO and all power drives, shut off the engine and **remove the ignition keys**.
- Clean, inspect, service and make necessary repairs to the equipment when parking it for long periods of time or at the end of a working season. This will help ensure that the unit will be ready for use the next time you hook up to it.
- Store the unit in an area away from human activity.
- Do not park equipment where it will be exposed to livestock for long periods of time. Damage and livestock injury could result.
- Do not permit children to play on or around the stored unit.
- Make sure all parked machines are on a hard, level surface and engage all safety devices.
- Wheel chocks may be needed to prevent unit from rolling.



PERFORMING MAINTENANCE

- Do not allow anyone to perform maintenance on this equipment who has not been properly trained in its safe operation.



- Good maintenance is your responsibility. Poor maintenance is an invitation to trouble. Proper servicing and adjustments are key to the long life of any implement. With careful inspection and routine maintenance, costly downtime and repairs can be avoided.
- Some parts and assemblies can be quite heavy. Before attempting to unfasten any part or assembly, arrange to support it by means of a hoist, by blocking or by use of an adequate arrangement to keep it from falling, tipping, swinging or moving in any manner which may hurt somebody or damage the equipment.
- Always use lifting equipment that is adequately rated to do the job. Never lift equipment over people.
- Make sure there is plenty of ventilation. Never operate the engine of the towing vehicle in a closed building. The exhaust fumes may cause asphyxiation.
- Before working on the equipment, stop the towing vehicle, set the brakes, disengage the PTO and all power drives, shut off the engine and **remove the ignition keys**.
- Be certain all moving parts on attachments have come to a complete stop before attempting to perform maintenance.
- **Always** use a safety support and block the wheels. Never use a jack to support the equipment.
- Always use the proper tools or equipment for the job at hand.
- Use extreme caution when making adjustments.
- Never replace hex bolts with less than grade five bolts unless otherwise specified.

- After servicing, be sure all tools, parts and service equipment are removed.
- Where replacement parts are necessary for periodic maintenance and servicing, genuine factory replacement parts must be used to restore your equipment to original specifications. The manufacturer will not claim responsibility for use of unapproved parts and/or accessories and other damages as a result of their use.
- If equipment has been altered in any way from original design, the manufacturer does not accept any liability for injury or warranty.
- Do not alter the equipment or replace parts with other brands. Doing so can cause the equipment to perform improperly and may lead to breakage causing bodily injury or death.



- If repairs require the use of a torch or electric welder, be sure that all flammable and combustible materials are removed.
- Do not weld or cut on any tank containing oil, fuel or their fumes or other flammable material, or any container whose previous contents are unknown.
- Cleaning solvents should be used with care. Petroleum based solvents are flammable and present a fire hazard. Don't use gasoline. All solvents must be used with adequate ventilation and their vapors should not be inhaled.

Linkage Assembly

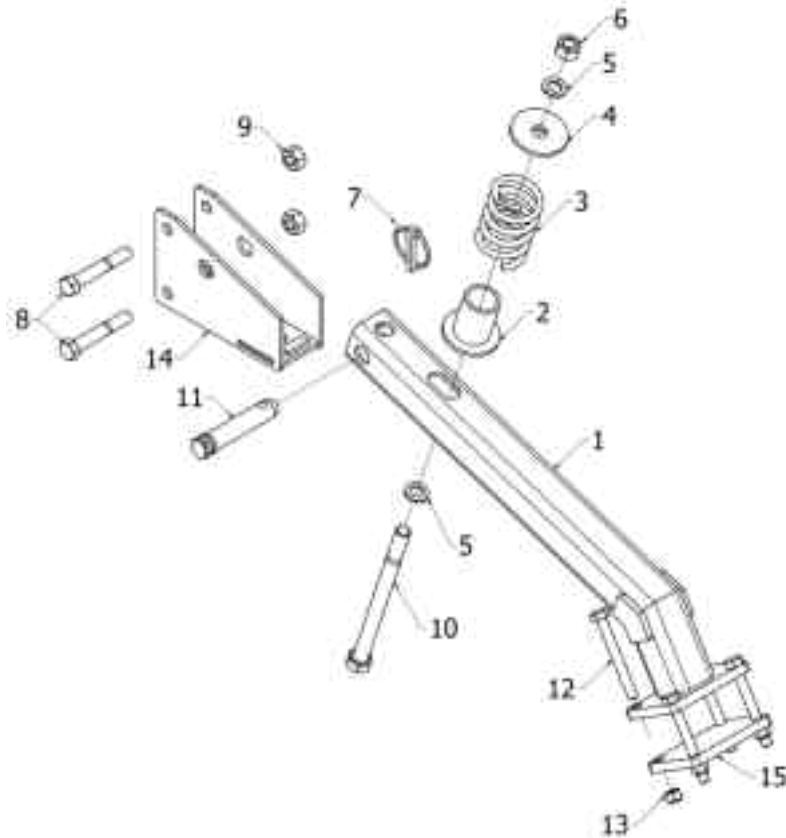
Adjusting Tumbler Basket Height

The rear tumbler basket is set for most field conditions from the factory. There are three height adjustments you may set according to your needs. The height can be set by removing the 5/8 x 4 hex bolts and sliding the linkage bracket up or down on the mount tube.

Adjusting Spring Tension

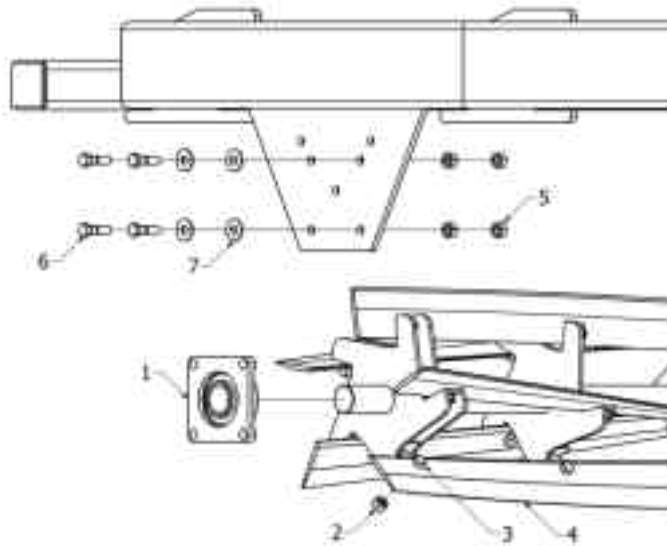
Each tumbler linkage assembly is equipped with a heavy-duty spring that can be adjusted for vertical basket flexibility.

Grease linkage arms daily.



Item	Part #	Description
1	H685-331	Linkage Arm Weldment, 40 Deg.
2	H685-206	Spring Bushing Weldment, Tall
3	H633-400	Spring, Top Auger
4	H685-205	Spring Bushing Weldment, Tumbler Short
5	616-1200Z	Washer, Flat 3/4" ZP
6	611-1201Z	Nut, 3/4" Hex Nylock
7	617-105	Click Pin, 7/16 x 2.0"
8	602-1016Z	Bolt, HCS 5/8 x 4.0" GR5 ZP
9	613-1005Z	Nut, Hex Nylock ZP 5/8"
10	602-1240Z	Bolt, HCS 3/4" x 10.0" GR5 ZP
11	617-164	Pin, Clevis CAT2 Top Link
12	602-0818Z	Bolt, HCS 1/2" x 4-1/2" GR5 ZP
13	613-0800Z	Nut, 1/2" Hex Nylock ZP
14	H685-302	Bracket, 40 Deg. Linkage Arm
15	H309-001	Plate, Tumbler Mount, 4 Hole

Hipper Chopper® Basket Assembly



Item	Part #	Description
1	H622-212	2.25" Flange Bearing
1 Alternate	H622-212-3	Bearing, Flange 2.25" 4-Bolt Triple Seal
2	613-1001Z	Nut, 5/8-11 Center Lock
3	602-1006Z	Bolt, Hex 5/8-11 x 1.5"
4	See Table 1	Chopper Blade
5	613-1000Z	Nut, 5/8 – 11 Nylock
6	602-1010Z	Bolt, Hex 5/8-11 x 2.5"
7	616-1000Z	Washer, 5/8" Flat

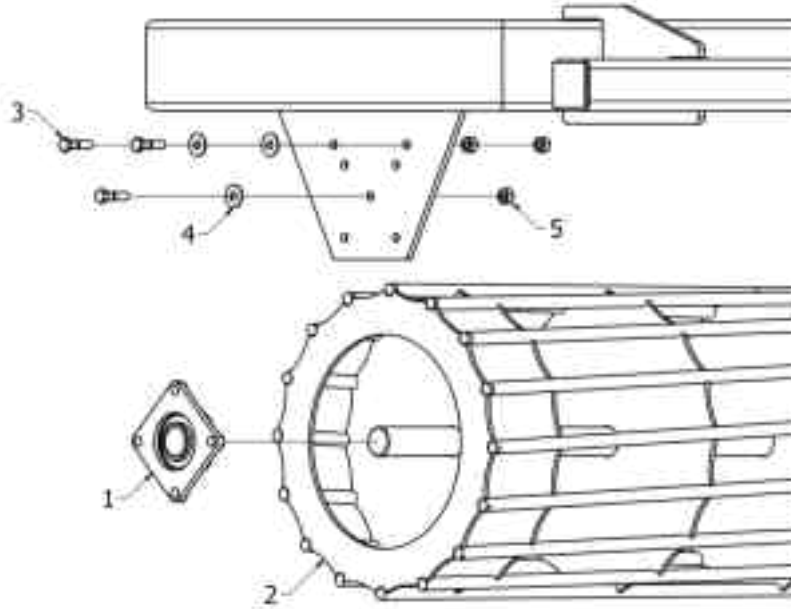
Table 1 – Chopper Blades

	Center	Wing
HC40FX	H287-109 (106.00")	H287-121 (118.00")
HC36FX	H287-100 (100.00")	H287-100 (100.00")
HC32FX	H287-085 (82.00")	H287-085 (82.00")
HC27FX	H287-083 (67.00")	H287-081 (78.00")
HC26X	H287-152 (152.00")	--
HC21X	H287-120 (121.50")	--

Table 2 – Chopper Basket Assemblies

	Center	Wing
HC40FX	H687-106	H687-118
HC36FX	H687-100	H687-100
HC32FX	H687-082	H687-082
HC27FX	H687-068	H687-078
HC26X	H687-152	--
HC21X	H687-121	--

Hipper Tumbler® Basket Assembly



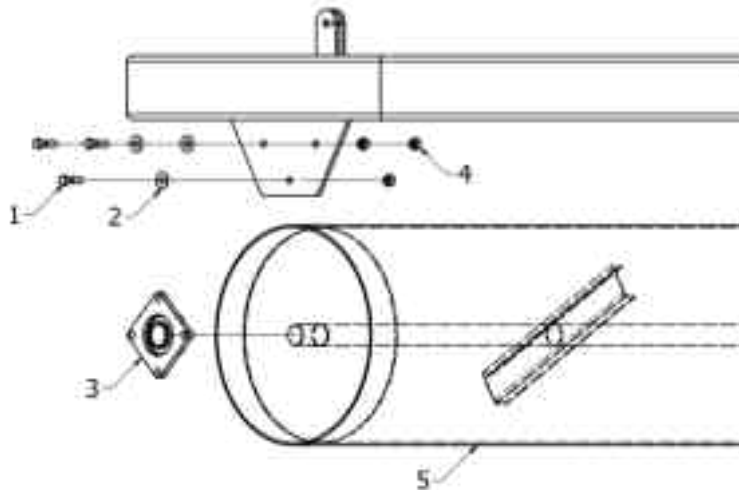
Item	Part #	Description
1	H622-212	2.25" Flange Bearing
1 Alternate	H622-212-3	Bearing, Flange 2.25" 4-Bolt Triple Seal
2	See Table 3	Tumbler Basket Assembly
3	602-1010Z	Bolt, Hex 5/8-11 x 2.5"
4	616-1000Z	Washer, 5/8" Flat
5	613-1000Z	Nut, 5/8 – 11 Nylock

Table 3 – Tumbler Basket Assemblies

	Center	Wing
HT40FX	H684-104 (104.00")	H684-116 (116.00")
HT36FX	H684-100 (100.00")	H684-100 (100.00")
HT32FX	H684-082 (82.00")	H684-082 (82.00")
HT27FX	H684-068 (68.00")	H684-078 (78.00")
HT26X	H684-150 (150.00")	--
HT21X	H684-120 (120.50")	--

Hipper Roller® Drum Assembly

Each Hipper Roller® drum consists of a 24" steel drum, 2-1/4" cold rolled continuous steel shaft, and (2) four bolt flange bearings securing it to the frame. Grease bearings daily.

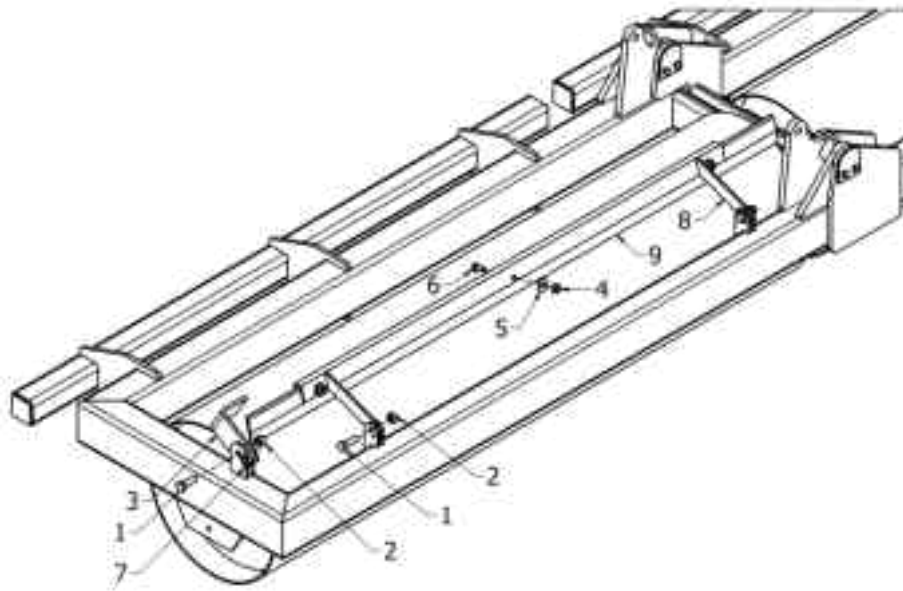


Item	Part #	Description
1	602-1010Z	Bolt, Hex 5/8-11 x 2.5"
2	616-1000Z	Washer, 5/8" Flat
3	H622-212	Bearing, Flange 2.25" 4-Bolt
3 Alternate	H622-212-3	Bearing, Flange 2.25" 4-Bolt Triple Seal
4	613-1000Z	Nut, 5/8-11 Nylock
5	See Table 4	Roller Drum Assembly

Table 4 – Roller Drum Assemblies

	Center	Wing
HR40FX	H686-108 (108.00")	H684-120 (120.00")
HR36FX	H686-102 (102.00")	H686-102 (102.00")
HR32FX	H686-084 (84.00")	H686-084 (84.00")
HR27FX	H686-070 (70.00")	H686-080 (80.00")
HR26X	H686-154 (154.50")	--
HR21X	H686-124 (124.50")	--

Hipper Roller® Scraper Assembly



Item	Part #	Description
1	602-1210Z	Bolt, Hex 3/4 x 2.5" GR5
2	613-1200Z	Nut, Lock 3/4" Nylock
3	H686-420	Stop, Drum HR
4	613-1000Z	Nut, 5/8-11 Nylock
5	616-1000Z	Washer, 5/8" Flat
6	602-1006Z	Bolt, Hex 5/8 x 1-1/2" GR5
7		
8	See Table 5	Scraper Assembly, Pivoting
9	See Table 6	Blade, Scraper

Table 5 – Scraper Assembly, Pivoting

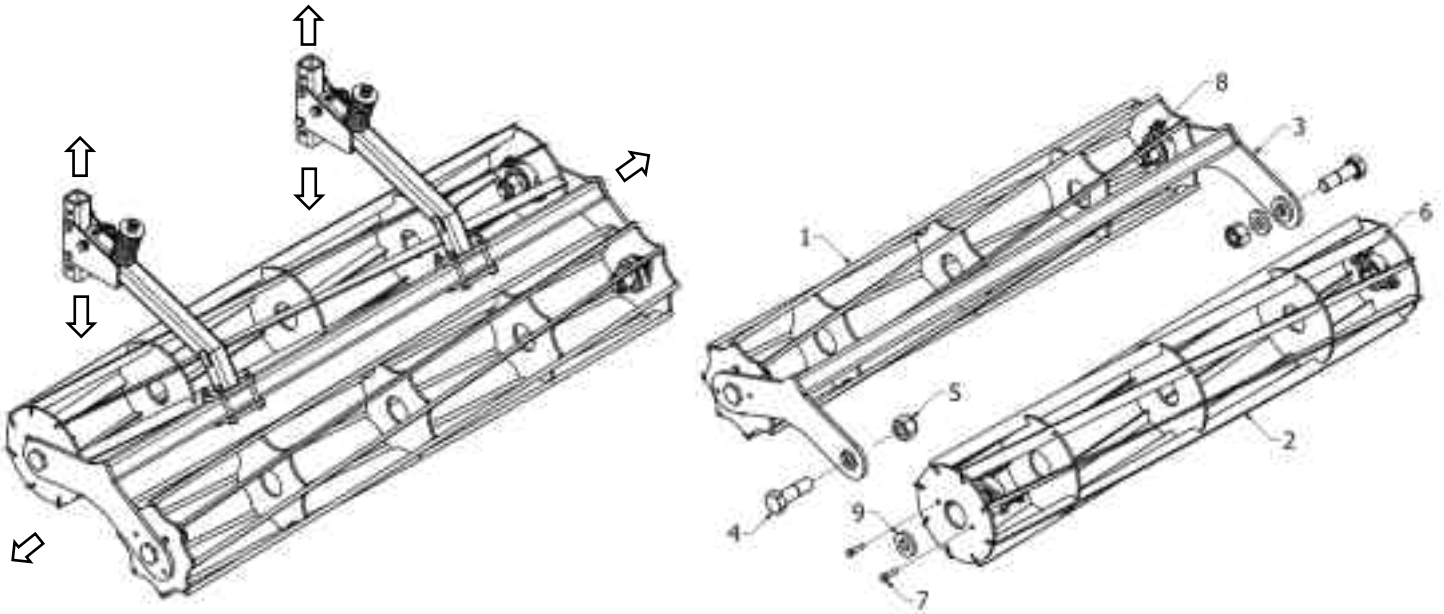
	Center	Wing
H40FX	H686-759	H686-759
H36FX	H686-750	H686-750
H32FX	H686-751	H686-751
H27FX	H686-752	H686-752
H26X	H686-756	--
H21X	H686-756	--

Table 6 – Blade, Scraper

	Center	Wing
H40FX	H901-52240CS (106.0")	H901-52240WS (118.0")
H36FX	H901-52236S (100.0")	H901-52236S (100.0")
H32FX	H901-52232CS (82.0")	H901-52232CS (82.0")
H27FX	H901-52227CS (67.0")	H901-52227WS (78.0")
H26X	H901-52226CS (152.0")	--
H21X	H901-52221CS (121.5")	--

Rear Tumbler Basket Assembly

The rear tumbler basket assemblies consist of an A-frame, (1) flat bar tumbler basket, and (1) round bar tumbler basket. The tumbler baskets can be shifted horizontally by removing the 1/2 x 4-1/2" bolts and sliding in the desired direction. Grease bearings daily.



Item	Part #	Description
1	See Table 7	Rear Basket, Round Bar
2	See Table 8	Rear Basket Flat Bar
3	See Table 9	A-Frame Weldment
4	602-2420Z	Bolt, HCS 1-1/2 x 5.00" GR 5 ZP
5	613-2400Z	Nut, Hex 1-1/2" Nylock ZP
6	622-084	Bearing Flange, 1-1/2" 2-Bolt
6 Alternate	622-084-3	Bearing, Flange 1-1/2" 2 Bolt Triple Seal
7	602-0808Z	Bolt, HCS 1/2 x 2.0" GR 5 ZP
8	613-0800Z	Nut, Hex 1/2 Nylock ZP
9	H312-001	Bushing, HC Tumbler Bolt

Table 7 – Rear Baskets, Round Bar

	Center	Wing
H40FX	H785-230 (106.50")	H785-235 (119.50")
H36FX	H785-231 (103.00")	H785-231 (103.00")
H32FX	H785-232 (84.50")	H785-232 (84.50")
H27FX	H785-233 (70.50")	H785-238 (80.50")
H26X	H785-232 (84.50")	H785-233 (70.50")
H21X	H785-234 (124.50")	--

Table 8 – Rear Baskets, Flat Bar

	Center	Wing
H40FX	H785-220 (106.50")	H785-225 (119.50")
H36FX	H785-221 (103.00")	H785-221 (103.00")
H32FX	H785-222 (84.50")	H785-222 (84.50")
H27FX	H785-223 (70.50")	H785-228 (80.50")
H26X	H785-222 (84.50")	H785-223 (70.50")
H21X	H785-224 (124.50")	--

Table 9 – A-Frame Weldments

	Center	Wing
H40FX	H785-210 (107.50")	H785-215 (120.50")
H36FX	H785-211 (104.00")	H785-211 (104.00")
H32FX	H785-212 (85.50")	H785-212 (85.50")
H27FX	H785-213 (71.50")	H785-218 (81.50")
H26X	H785-212 (85.50")	H785-213 (71.50")
H21X	H785-214 (125.50")	--

Table 10 – Rear Tumbler Assemblies, Double

	Center	Wing
H40FX	H785-200	H785-205
H36FX	H785-201	H785-201
H32FX	H785-202	H785-202
H27FX	H785-203	H785-208
H26X	H785-202	H785-203
H21X	H785-204	--

Rear Tumbler Assemblies, Flat with 12" Drum and Scraper

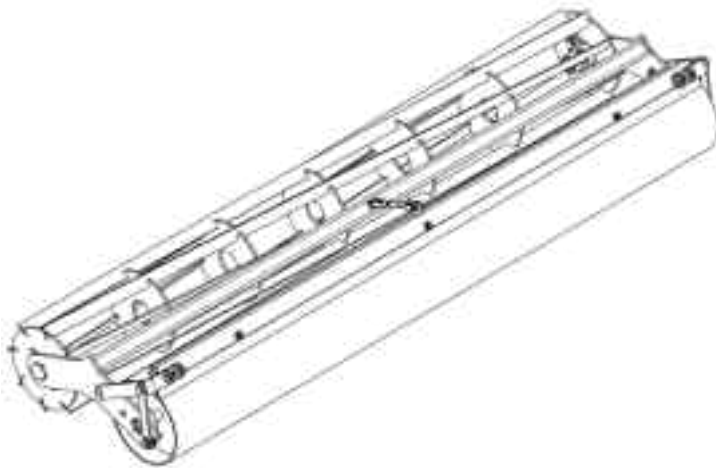
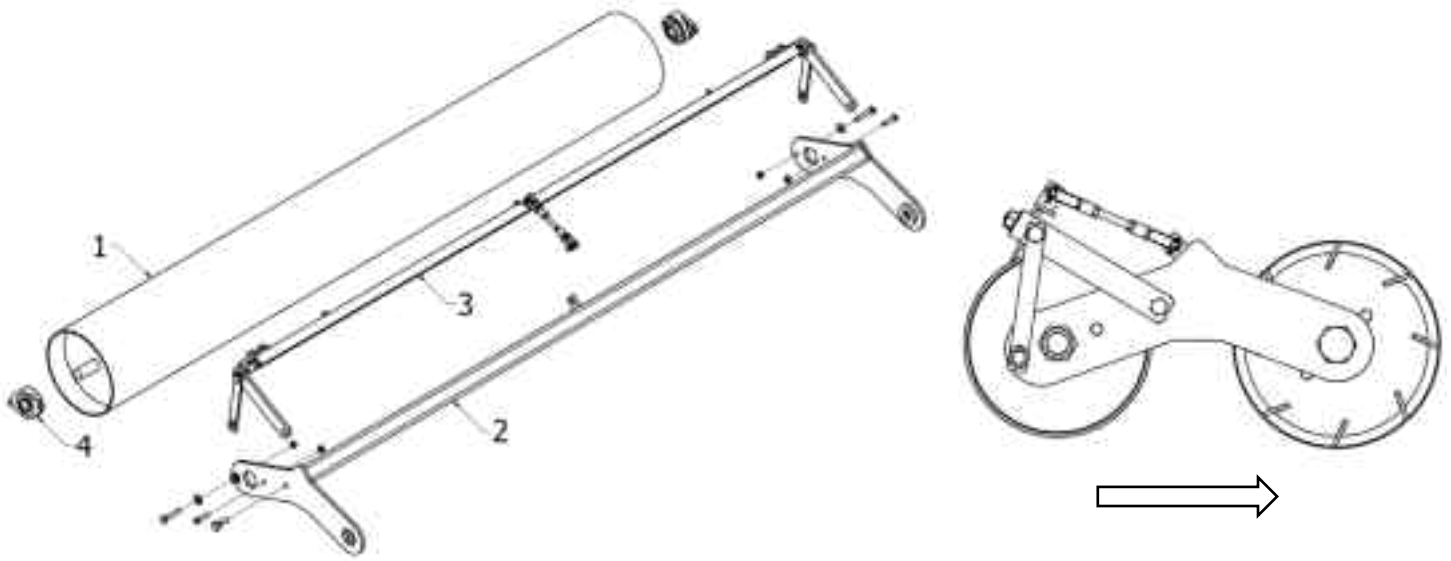


Table 11 – Rear Tumbler Assemblies, Flat with 12" Drum and Scraper

	Center	Wing
H40FX	H785-200_12	H785-205_12
H36FX	H785-201_12	H785-201_12



Item	Part #	Description
1	See Table 12	12" Roller Drum
2	See Table 13	A Frame, 12" Drum
3	See Table 14	Scraper Assembly, 12"
4	622-084	Bearing, Flange 1.5" 2-Bolt
4 Alternate	622-084-3	Bearing, Flange 1-1/2" 2 Bolt Triple Seal

Table 12 – 12" Roller Drum

	Center	Wing
H40FX	H688-106 (106.00")	H688-119 (119.00")
H36FX	H688-102 (102.50")	H688-102 (102.50")

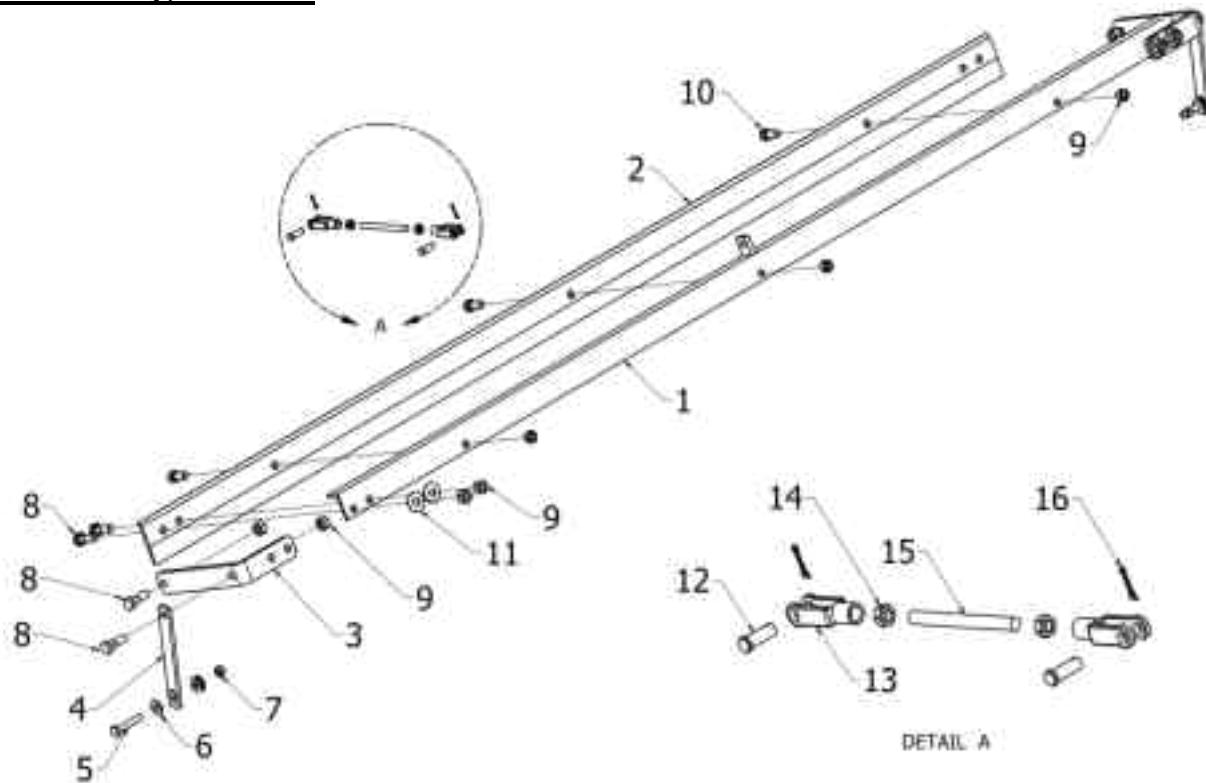
Table 13 – A-Frame, 12" Drum

	Center	Wing
H40FX	H785-210_12 (107.50")	H785-215_12 (120.50")
H36FX	H785-211_12 (104.00")	H785-211_12 (104.00")

Table 14 – Scraper Assembly, 12" – See component breakdown on following page.

	Center	Wing
H40FX	H686-758_12	H686-759_12
H36FX	H686-750_12	H686-750_12

Scraper Assembly, 12" Drum



Item	Part #	Description
1	See Table 15	Scraper Mount Angle
2	See Table 16	Scraper Blade, 12" Drum
3	H320-025	Scraper Arm, 12" Pipe Roller
4	H320-026	Scraper Linkage, 12" Pipe Roller
5	603-0812	Bolt, Hex 1/2 x 3.0 GR 5
6	616-0800Z	Washer, Flat ZP 1/2"
7	613-0800Z	Nut, Hex Nylock ZP 1/2"
8	602-1008Z	Bolt, Hex Cap Screw 5/8 x 2.0" (GR5) ZP
9	613-1001Z	Nut, Hex Nylock 5/8" ZP
10	602-1006Z	Bolt, Hex Cap Screw 5/8 x 1.5" (GR5) ZP
11	616-1000Z	Washer, Flat ZP 5/8"
12	Q617-281	Pin, Clevis 1/2" Diameter x 1-3/8"
13	Q617-045	Yoke End, 1/2" Straight Leg
14		Nut, Jam 1/2" Fine Thread
15	301-109	Threaded Rod, 1/2" Fine Thread
16	L15662	Cotter Pin, 1/8" x 1.0"

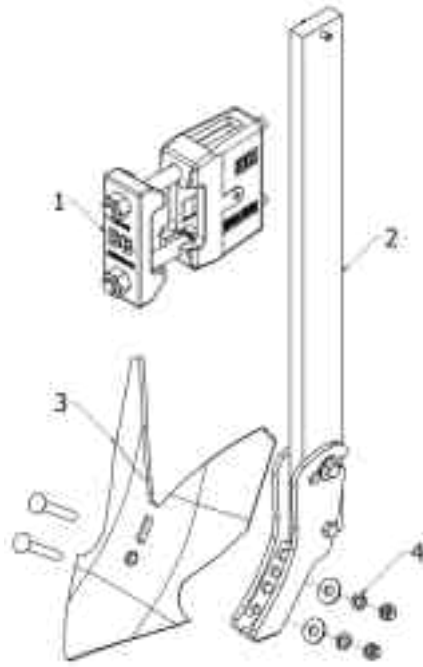
Table 15 – Scraper Mount Angle

	Center	Wing
H40FX	H686-708	H686-718
H36FX	H686-717	H686-717

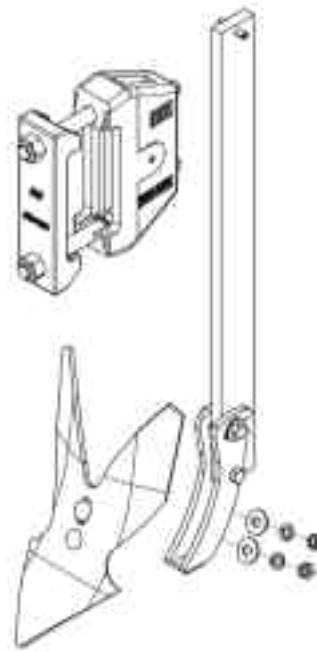
Table 16 – Scraper Blade, 12" Drum

	Center	Wing
H40FX	H901-52240CS-12	H901-52240WS-12
H36FX	H901-52236S_12	H901-52236S_12

Plow Assemblies



H870-200



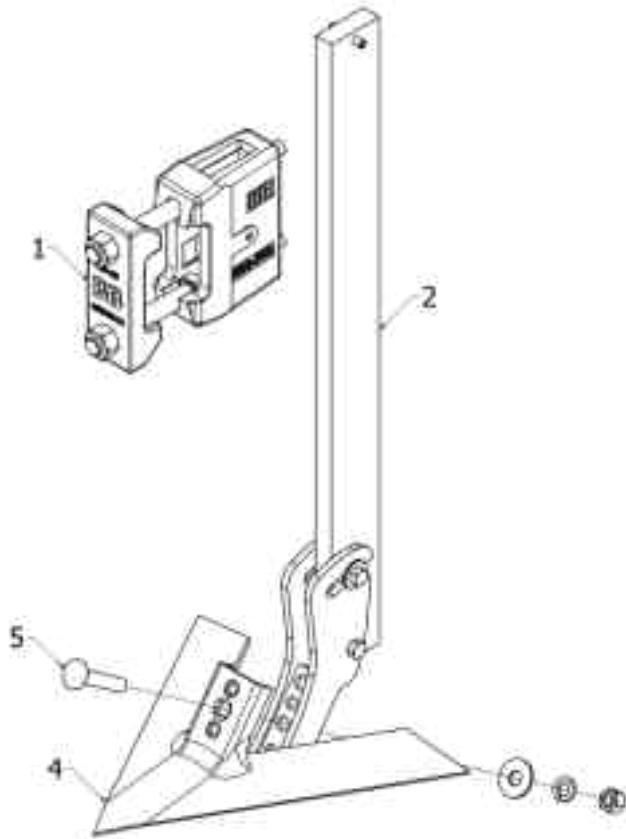
H870-210

			1				2		3		4
			Clamps				Shanks		Plows		Bolt Kit
			4x4 for 1"	4x4 for 1" Fab.	7x4 for 1"	7x4 for 3/4"	1"	3/4"	11N	8"	
			H806-403	806-403FD	H806-743	H806-742	705-300F	H705-200F	H638-211	636-208	H638-060
Part Number	Description										
Single Plow Ass'y 1 Row	H870-200	HX Furrow Ass'y, 11" Plow, 1" Shank, 4x4 Bar	1				1		1		1
	H910-476	Additional Furrow Ass'y for Front, Center		1			1		1		1
	H870-210	HX Furrow Ass'y, 8" Plow, 7x4 Bar, 3/4" Shank				1		1		1	1
	H870-210-SU	HX Furrow Ass'y, 8" Plow, 7x4 Bar, 1" Shank			1		1			1	1

Bolt Kit *H638-060* *Includes 2 each of 1/2 x 3.5" Carriage Head Bolt, Lock Washer, Flat Washer, and Hex Nut*

1" Fab Clamp *806-403FD* *Fabricated clamp. Located between upper hitch plates on implement.*

Bedknife Assemblies



	1	2	3	4	5
	Clamps	Straight Shank	Offset Shank	Sweep	Bolt Kit
	4x4 for 1"	1"	1x8"	12"	
	7x4 for 1"			16"	
	7x5 for 1"				
	806-773				
		705-300F	705-308F	638-012	H638-061
				638-016	

Part Number Description

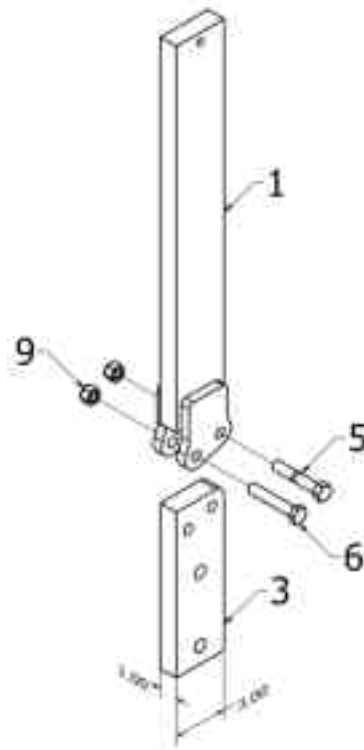
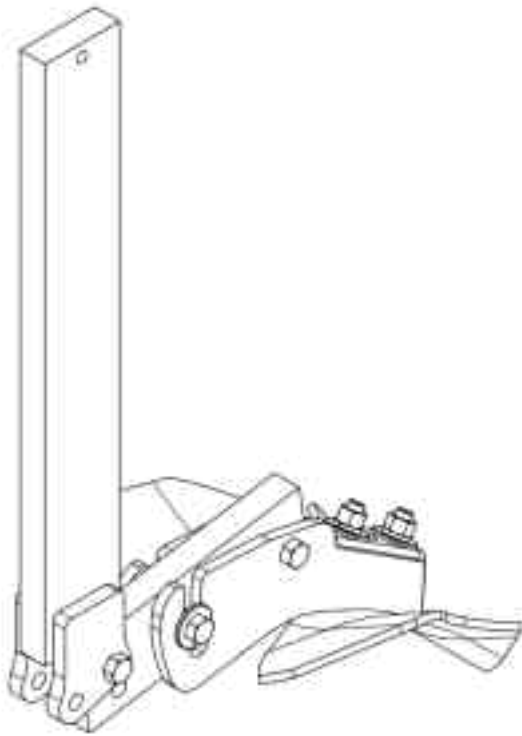
	Part Number	Description	H806-403	H806-743	H806-753	806-773	705-300F	705-308F	638-012	638-016	H638-061
Single Bed Knife Ass'y 1 Row	H870-400	HX Bedknife Ass'y - 16", 1" Shank, 4x4 Bar	1				1			1	1
	H870-400-8	HX Bedknife Ass'y - 16", 1" Shank, 4x4 Bar, 8" Offset	1					1		1	1
	H870-404	HX Bedknife Ass'y - 16", 1" Shank, 7x4 Bar		1			1			1	1
	H870-404-8	HX Bedknife Ass'y - 16", 1" Shank, 7x4 Bar, 8" Offset		1				1		1	1
	H870-405	HX Bedknife Ass'y - 16", 1" Shank, 7x5 Bar			1		1			1	1
	H870-405-8	HX Bedknife Ass'y - 16", 1" Shank, 7x5 Bar, 8" Offset			1			1		1	1

Bolt Kit *H638-061* *Includes 5/8 x 3.5" Carriage Head Bolt, Lock Washer, Flat Washer, and Hex Nut*

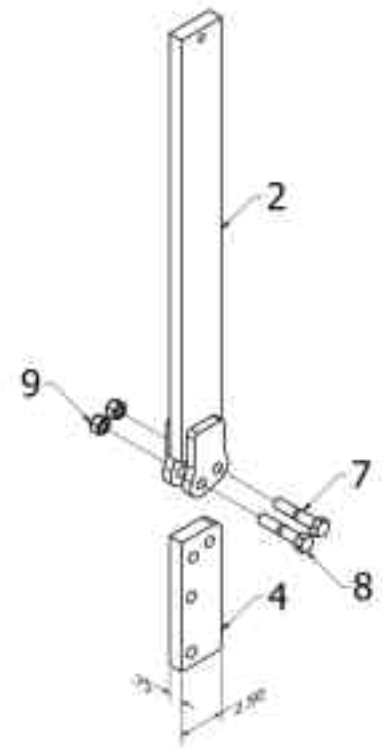
Shank *705-300F* *1" x 3". Includes foot piece.*

Offset Shank *705-308F* *1" x 3". 8" Offset. Reversible for RH or LH orientation. Includes foot piece.*

Shear-Bolt Shanks



1 x 3: 705-300-SS



.75 x 1.5: H705-200-SS

Item	Part #	Description
1	H705-212	Upper Weldment, 1" Shear Shank
2	H705-211	Upper Weldment, 3/4" Shear Shank
3	H705-202	Pivot Leg, 1" Shear Shank
4	H705-201	Pivot Leg, 3/4" Shear Shank
5	602-0825Z	Bolt, 1/2 x 2-3/4" (GR8) ZP
6	602-0811Z	Bolt, 1/2 x 2-3/4" (GR5) ZP
7	603-0810Z	Bolt, 1/2 x 2-1/2" (GR8) ZP
8	602-0810Z	Bolt, 1/2 x 2-1/2" (GR5) ZP
9	613-0800Z	Nut, Hex Nylock ZP 1/2"

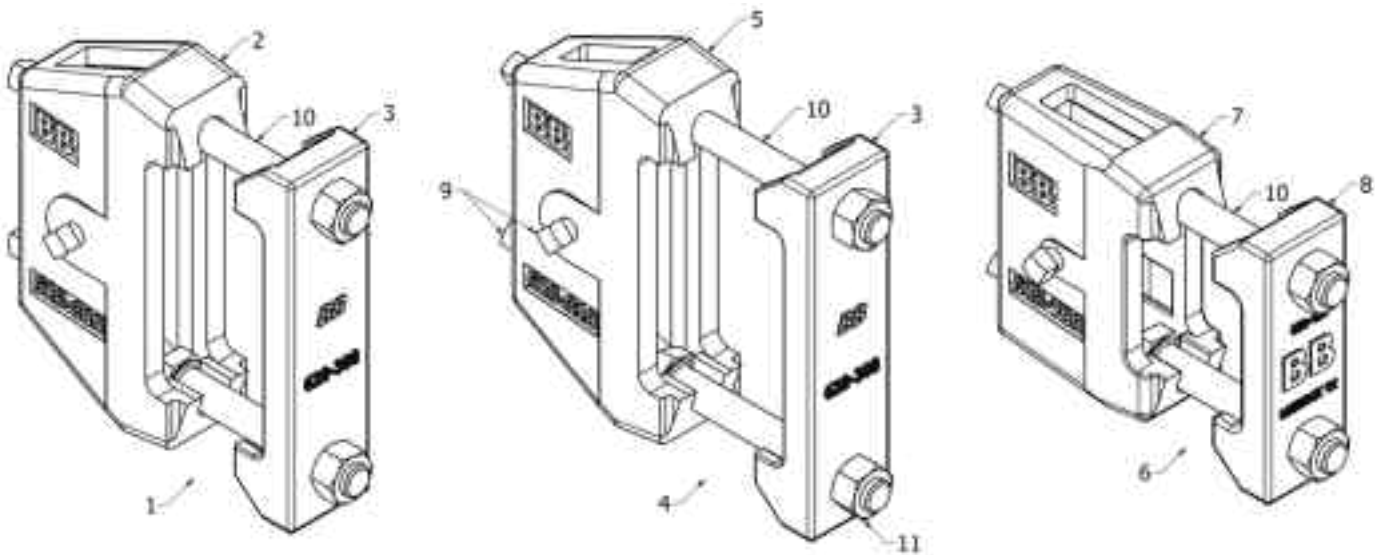
1 x 3 Shear Shank with Foot Piece	705-300F-SS	Includes shear-bolt shank and foot piece.
1 x 3 Shear Shank, No Foot Piece	705-300-SS	
3/4 x 2.5 Shear Shank with Foot Piece	H705-200F-SS	Includes shear-bolt shank and foot piece.
3/4 x 2.5 Shear Shank, No Foot Piece	H705-200-SS	

Interference Alert

Shear-bolt shanks are not to be used for rear cleanouts in conjunction with rear tumbler baskets due to interference. Rear baskets and/or cleanout plows can be damaged as a result.

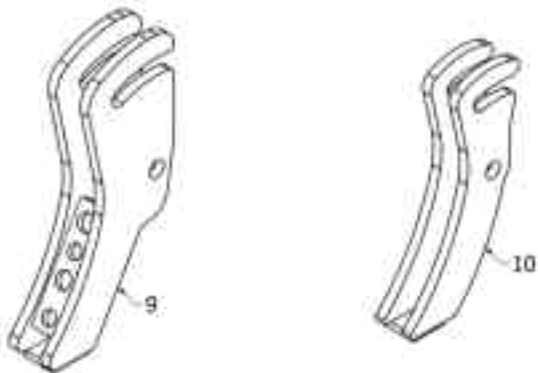
Contact your local Bigham representative or Customer Service for options.

Clamp Assemblies



Item	Part #	Description
1	H806-743	Clamp, 7x4 for 1x3 Shank
2	628-800	Body, Clamp 7x7
3	628-308	Cap, 7" Bar
4	H806-742	Clamp, 7x4 for 3/4 x 2-1/2 Shank
5	628-810	Body, Clamp 7x7 for 3/4 x 2-1/2 Shank
6	H806-403	Clamp, 4x4 for 1x3 Shank
7	628-700	Body, Clamp 4" 1x3 Shank
8	628-400	Cap, 4" Bar
9	606-1006Z	Set Screw, SQ HD 5/8 x 1-1/2" ZP
10	601-1424Z	Bolt, HCS 7/8 x 6.0" GR2 ZP
11	611-1401Z	Nut, Hex 7/8-9 ZP

Foot Pieces



Item	Part #	Description
9	636-503	Foot Piece for 1" Shank
10	H450-3376	Foot Piece for 5/8" or 3/4" Shank

Plow Assembly Bundles - Front

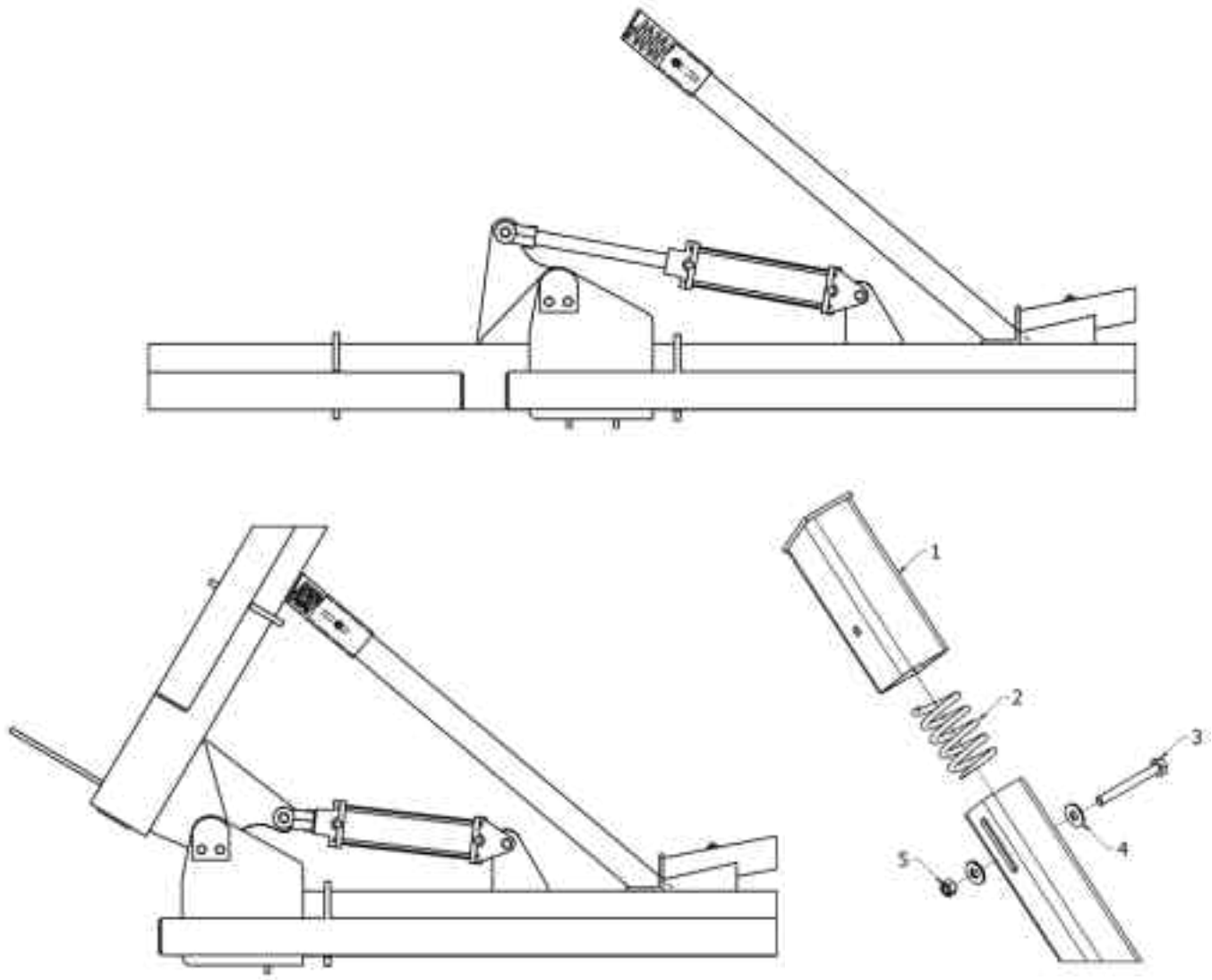
Part Number	Description	Row Spacing	Fold Type		Clamps					Shank	Plows		Bolt Kit
			R	OF	H806-403	806-403FD	H806-743	H806-753	806-773		705-300F	H638-211	
Plow Ass'y Bundles	H996-1354	HC/HT/HR FRONT PLOW ASS'Y, 3R54	3R54	X		4	0				4	4	4
	H996-1438	HC/HT/HR FRONT PLOW ASS'Y, 4R38	4R38	X		4	1				5	5	5
	H996-2130	HC/HT/HR FRONT PLOW ASS'Y, 8R30	8R30	X		8	1				9	9	9
	H996-2138	HC/HT/HR FRONT PLOW ASS'Y, 6R38	6R38	X		6	1				7	7	7
	H996-2630	HC/HT/HR FRONT PLOW ASS'Y, 10R30	10R30	X		10	1				11	11	11
	H996-2638	HC/HT/HR FRONT PLOW ASS'Y, 8R3	8R38	X		8	1				9	9	9
	H996-2736	HC/HT/HR FRONT PLOW ASS'Y, 8R36	8R36		X	8	1				9	9	9
	H996-2738	HC/HT/HR FRONT PLOW ASS'Y, 8R38	8R38		X	8	1				9	9	9
	H996-2740	HC/HT/HR FRONT PLOW ASS'Y, 8R40	8R40		X	8	1				9	9	9
	H996-3230	HC/HT/HR FRONT PLOW ASS'Y, 12R30	12R30		X	12	1				13	13	13
Standard 1x3" Shank 11N Plow	H996-3636	HC/HT/HR FRONT PLOW ASS'Y, 12R36	12R36		X	12	1				13	13	13
	H996-4030	HC/HT/HR FRONT PLOW ASS'Y, 16R30	16R30		X	16	1				17	17	17
	H996-4038	HC/HT/HR FRONT PLOW ASS'Y, 12R38	12R38		X	12	1				13	13	13
	H996-4040	HC/HT/HR FRONT PLOW ASS'Y, 12R40	12R40		X	12	1				13	13	13
	H966-4630	HC/HT/HR FRONT PLOW ASS'Y, 18R30	18R30		X	18	1				19	19	19

Single Plow Ass'y 1 Row	H870-200	HX FURROW ASS'Y, 11" PLOW, 1" SHANK, 4" BAR				1					1	1	1
	H870-214	HX FURROW ASS'Y, 11" PLOW, 1" SHANK, 7X4 BAR					1				1	1	1
	H870-215	HX FURROW ASS'Y, 11" PLOW, 1" SHANK, 7X5 BAR						1			1	1	1
	H870-300	HX FURROW ASS'Y, 11" PLOW, 1" SHANK, 7" BAR							1		1	1	1
	H910-476	ADD'L FURROW ASS'Y FOR FRONT					1				1	1	1

Cleanout Bundles – Rear

			Row Spacing		Fold Type		Clamps		Shanks		Plows		Bolt Kit	Set Screw
			R	OF	H806-743	H806-742	705-300F	H705-200F	H638-211	636-208	H638-060	606-1006Z		
					7X4 FOR 1"		7x4 for 3/4"		1"		3/4"			
Part Number	Description													
Standard RCO 3/4 x 2.5" Shank 8" Plow	H997-1354	HIPPER RCO, 13' 3 ROW	3R54	X		2		4		4	4	4	4	4
	H997-2130	HIPPER RCO, 21' 8 ROW	8R30	X		8		9		9	9	9	9	2
	H997-2138	HIPPER RCO, 21' 6 ROW	6R38	X		6		7		7	7	7	7	2
	H997-2630	HIPPER RCO, 26' 10 ROW	10R30	X		10		11		11	11	11	11	2
	H997-2638	HIPPER RCO, 26' 8 ROW	8R38	X		8		9		9	9	9	9	2
	H997-2736	HIPPER RCO, 27' 8 ROW	8R36		X	6		9		9	9	9	9	6
	H997-2738	HIPPER RCO, 27' 8 ROW	8R38		X	6		9		9	9	9	9	6
	H997-2740	HIPPER RCO, 27' 8 ROW	8R40		X	4		9		9	9	9	9	10
	H997-3070	HIPPER RCO, 30' 5 ROW	5R70		X	0		6		6	6	6	6	12
	H997-3230	HIPPER RCO, 32' 12 ROW	12R30		X	8		13		13	13	13	13	10
	H997-3636	HIPPER RCO, 36' 12 ROW	12R36		X	8		13		13	13	13	13	10
	H997-4030	HIPPER RCO, 40' 16 ROW	16R30		X	12		17		17	17	17	17	10
	H997-4038	HIPPER RCO, 40' 12 ROW	12R38		X	10		13		13	13	13	13	6
	H997-4630	HIPPER RCO, 46' 18 ROW	18R30		X	14		19		19	19	19	19	10
H997-4040	HIPPER RCO, 40' 12 ROW	12R40		X	8		13		13	13	13	13	10	
1x3" Shank 8" Plow	H997-4030-SU	HIPPER RCO, 40' 16 ROW 1X3 SHANK	16R30		X	12		17		17	17	17	17	10
	H997-4038-SU	HIPPER RCO, 40' 12 ROW 1X3 SHANK	12R38		X	10		13		13	13	13	13	6
1x3" Shank 11" Plow	H997-3636-HD	HIPPER RCO, 36' 12 ROW TTL UPGRADE	12R36		X	8		13		13	13	13	13	10
	H997-4030-HD	HIPPER RCO, 40' 16 ROW TTL UPGRADE	16R30		X	12		17		17	17	17	17	10
	H997-4038-HD	HIPPER RCO, 40' 12 ROW TTL UPGRADE	12R38		X	10		13		13	13	13	13	6
	H997-4630-HD	HIPPER RCO, 46' 18 ROW FULL UPGRADE	18R30		X	14		19		19	19	19	19	10
Single Plow Ass'y. 1 Row	H870-210	HX Furrow Ass'y, 8" Plow, 7x4 Bar, 3/4" Shank				1		1		1	1	1	1	
	H870-210-SU	HX Furrow Ass'y, 8" Plow, 7x4 Bar, 1" Shank				1		1		1	1	1	1	

Wing Support Assembly

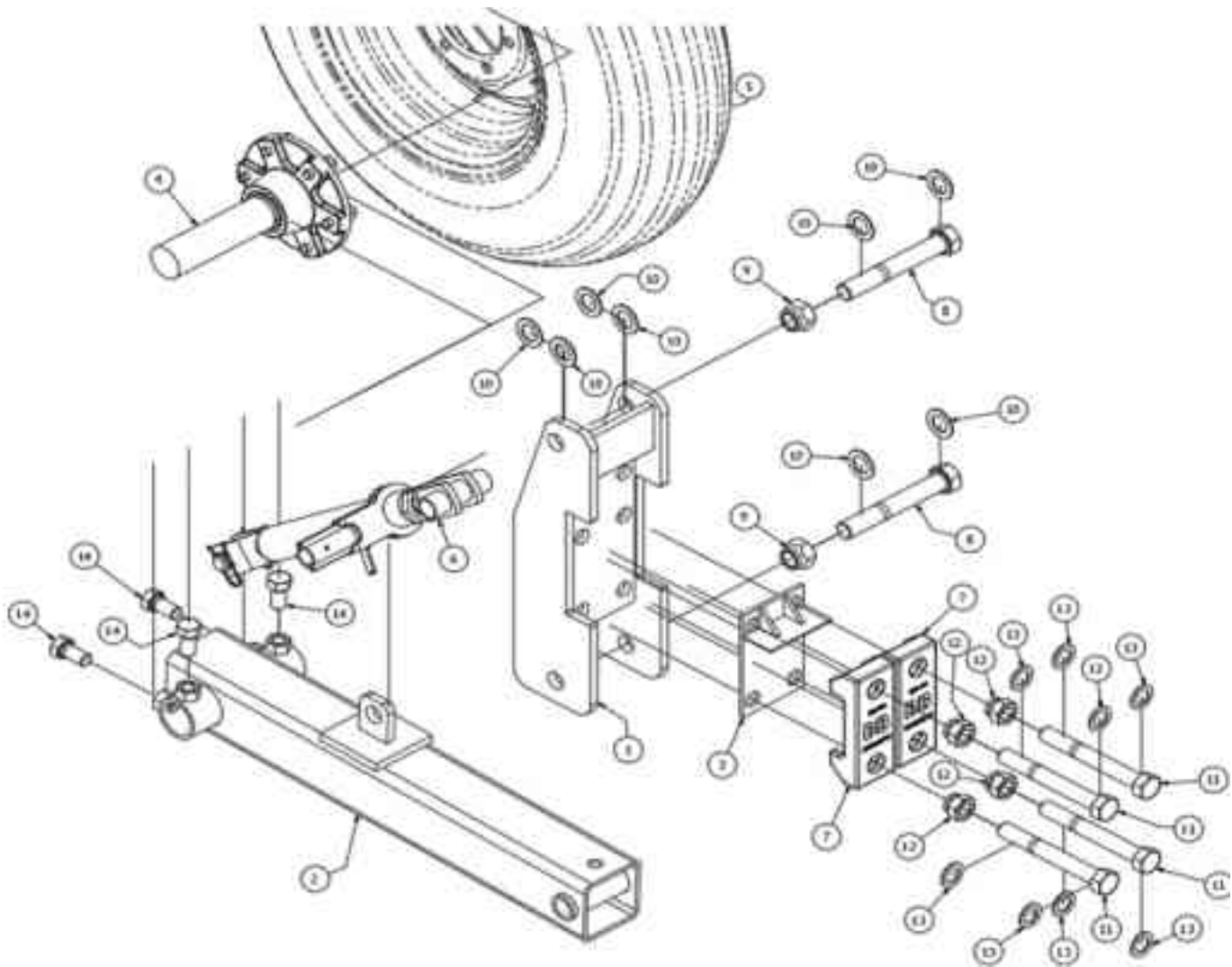


Item	Part #	Description
1	See Table 17	Wing Support Cap
2	H633-400	Spring, Top Auger
3	602-0818Z	Bolt, HCS 1/2 x 4-1/2" GR5 ZP
4	616-0800Z	Washer, Flat 1/2" ZP
5	613-0800Z	Nut, Hex Nylock 1/2" ZP

Table 17 – Wing Support Cap

H40FX	H433-101
H36FX	H433-101
H32FX	H433-102
H27FX	H433-102
H26X	--
H21X	--

Gauge Wheel Assembly



BIGHAM Universal Gauge Wheel Assembly (4" X 4" Tube Configuration) P/N: 855-444			
Reference Number	Part Number	Description	Required Quantity per Assembly
1	H705-000	Universal Gauge Wheel Mount Bracket	1
2	H705-001	Universal Gauge Wheel Arm Weldment	1
3	H705-002	UGW 4" Tube adapter Weldment	1
4	627-161	Gauge Wheel Hub Assembly W/ 2" Spindle	1
5	627-567	Wheel & Tire Assembly (order separately)	1
6	705-083	Yoke/Tube Adjustment Turn Buckle	1
7	628-400	4" Clamp Cap	2
8	602-1628Z	1" GR. 5 Zinc Plated Bolt X 7" Long	2
9	613-1600Z	1" GR. 5 Zinc Plated Nylock Nut	2
10	616-1600Z	1" Zinc Plated Flat Washer	8
11	602-1428Z	7/8" GR. 5 Zinc Plated Bolt X 7" Long	4
12	611-1401Z	7/8" GR. 5 Zinc Plated Nut	4
13	616-1400Z	7/8" Zinc Plated Flat Washer	4
14	602-1206Z	3/4" GR. 5 Zinc Plated Bolt X 1 1/2"	4



HYDRAULIC FLUID AND EQUIPMENT SAFETY



Only adequately trained and qualified persons should work on hydraulics systems. You may be severely injured or killed by being crushed under a falling piece of equipment. Always have transport locks in place and frame sufficiently blocked when working on any implement.

Hydraulic fluid escaping under pressure can have sufficient force to cause injury. Keep all hoses and connections in good serviceable condition. Failure to heed may result in serious personal injury or death. Escaping hydraulic fluid under pressure can have sufficient pressure to penetrate the skin causing serious injury. Avoid the hazard by relieving the pressure before disconnecting lines or performing work on the system.

Make sure hydraulic fluid connections are tight and all hydraulic hoses and lines are in good condition before applying pressure to the system. Use a piece of paper or cardboard, **NOT BODY PARTS**, to check for suspected leaks. Wear protective gloves and safety glasses or goggles when working with hydraulic systems. **DO NOT DELAY!** If an accident occurs, see a doctor familiar with this type of injury immediately. Any fluid injected into the skin or eyes must be treated within a few hours or gangrene may result.

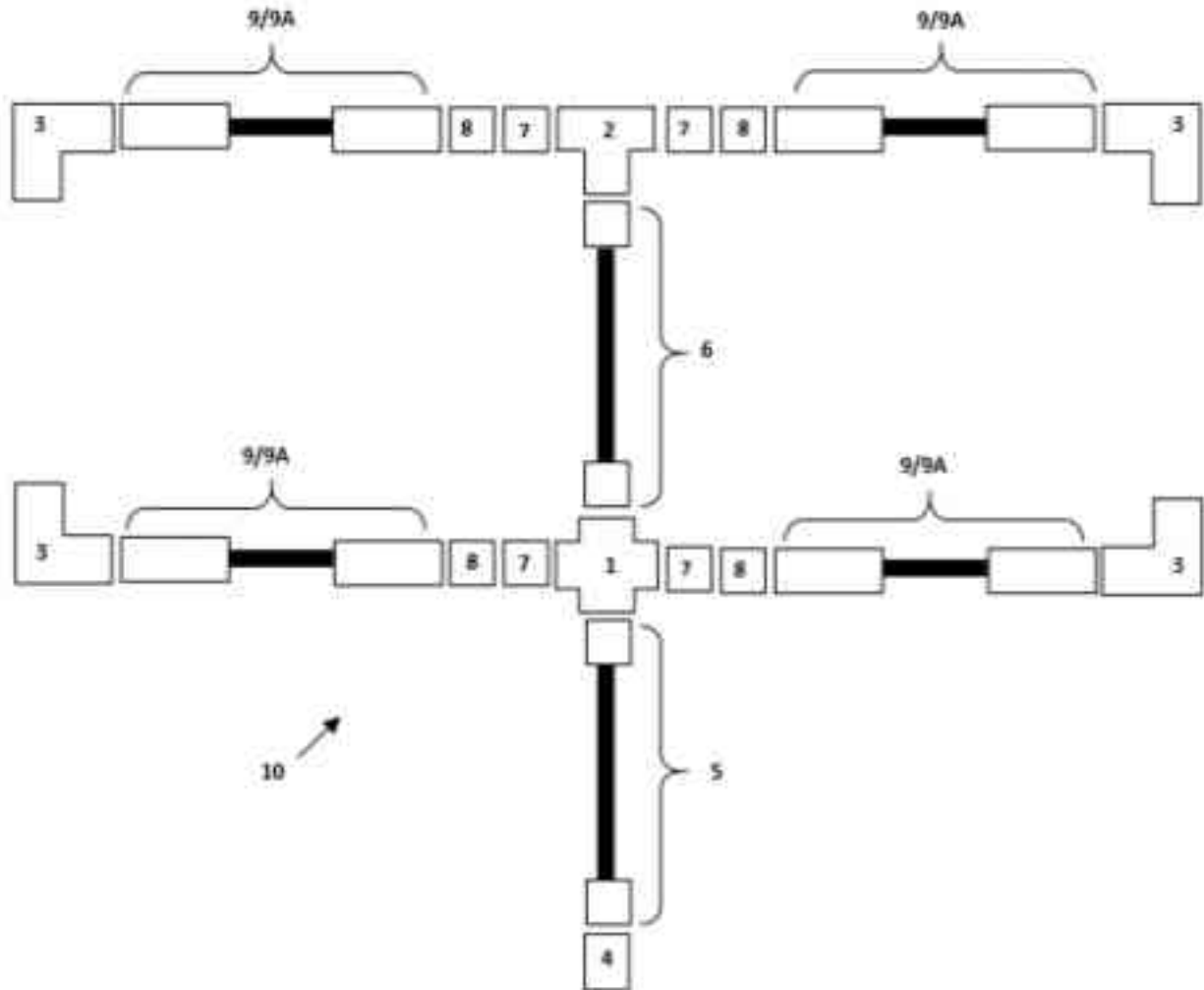
Always secure equipment with solid supports before working on or under it. Never work under equipment supported by hydraulics. Hydraulics can drop equipment if controls are actuated or hydraulic lines burst or pressure is lost while disconnecting lines. Either situation can drop machinery instantly even when power to hydraulics is off. Do not attempt to disconnect a hydraulic cylinder or hose while the system is under pressure!

Check hydraulic hoses and fittings frequently. Brush and other debris can damage hoses and fittings. Inspect and maintain equipment daily. Loose, broken, and missing hardware can cause equipment to not perform properly and can result in bodily injury or death.

Hydraulic systems and oil can be hot and cause burns. Before working on any system, wait until the oil has cooled.

Keep body and body extremities away from areas such as pivot points and hydraulic cylinders. Always secure equipment pivot points to assure they will not move when working on or near them.

Hydraulic Assembly



Item	Part #	Description
1	621-103	Fitting, Cross 8MJ
2	621-118	Fitting, Tee 8MJ
3	621-054	3/8" MJIC x 1/2" Male 90DEG Elbow
4	H621-145	Hydraulic Coupling, Quick Disconnect
5	H621-136	#8 – 8FJ Line Assembly
6	H621-137	#8 – 8FJ to 8FJ Line Assembly
7	621-105	Nut, 3-Piece 1/2"
8	621-104	Reducer, 8FJ to 6MJ
9	See Table 18	H**FX #4 – 6FJ Line Assembly
9A	See Table 19	H**FX #4 – 6FJ Line Assembly, Long
10	See Table 20	H**FX Hydraulic Assembly, Complete

Table 18 – H**FX #4 – 6FJ Line Assembly

	Line Assembly
H40FX	H621-110
H36FX	H621-111
H32FX	H621-112
H27FX	H621-113
H26X	--
H21X	--

Table 19 – H**FX #4 – 6FJ Line Assembly, Long

	Line Assembly
H40FX	H621-120
H36FX	H621-121
H32FX	H621-122
H27FX	H621-123
H26X	--
H21X	--

Table 20 – H**FX Hydraulic Assembly, Complete

	Line Assembly
H40FX	H621-100
H36FX	H621-101
H32FX	H621-102
H27FX	H621-103
H26X	--
H21X	--

Quick Reference Parts List

Gauge Wheel Assemblies

855-444-4 Gauge Wheel Assembly, UGW 4" Bar

Bearings

H622-212C Bearing, Flange 2.25" 4-Bolt
*H622-212-3 ** Bearing, Flange 2.25" 4-Bolt Triple Seal*
622-084 Bearing, Flange 1.50" 2-Bolt
*622-084-3 ** Bearing, Flange 1.50" 2-Bolt Triple Seal*

***Recommended in sandy soil conditions*

Cylinders

H619-414 Cylinder, Hydraulic 4x14" Tie Rod

Cylinder Seal Kit

620-253 Seal Kit, 4" Lion, 40WR-150 TSS 649228 4x14

Hitch Pins

H617-196C Hitch Pin, Lower
H617-254 Bushing, Lower CAT3 to CAT4
H617-191C Hitch Pin, CAT4
H312-404 Bushing, Top CAT3 to CAT4
H617-190C Hitch Pin, CAT3

Drum Locks (Hipper Roller)

H686-420 Stop, Drum HR

Parking Stand

H636-975 Parking Stand Weldment

Clamps

H806-743 Clamp, 7x4 for 1x3 Shank
H806-742 Clamp, 7x4 for 3/4x2-1/2 Shank
H806-403 Clamp, 4x4 for 1x3 Shank
806-403FD Clamp, Welded, 4x4 for 1 x 3 Shank (Front Center Shank)

Plow Assemblies

H870-200 Furrow Plow Assembly: 11" Plow, 4x4 Bar, 1" Shank
H870-210 Furrow Plow Assembly, 8" Plow, 7x4 Bar, 3/4" Shank

MAINTENANCE CHART

ITEM	INTERVAL
Check tire pressure.	Before running.
Grease wheel bearings.	Two times per year.
Grease rolling element bearings.	After running. Every 2-3 days of use.
Grease frame hinges	Daily.
Review safety instructions.	Annually.
Clean implement.	As needed.
Clean and paint.	As needed.



ASSISTANCE

If you have questions not answered in this manual, or require additional copies, or the manual is damaged, please contact your dealer or:

Bigham Ag
Customer Service Department
1220 E Durkee Street, Carlisle, AR 72024
Phone: 870-552-7517
Fax: 870-552-3303