

Medium Duty Bed Conditioner

C-27

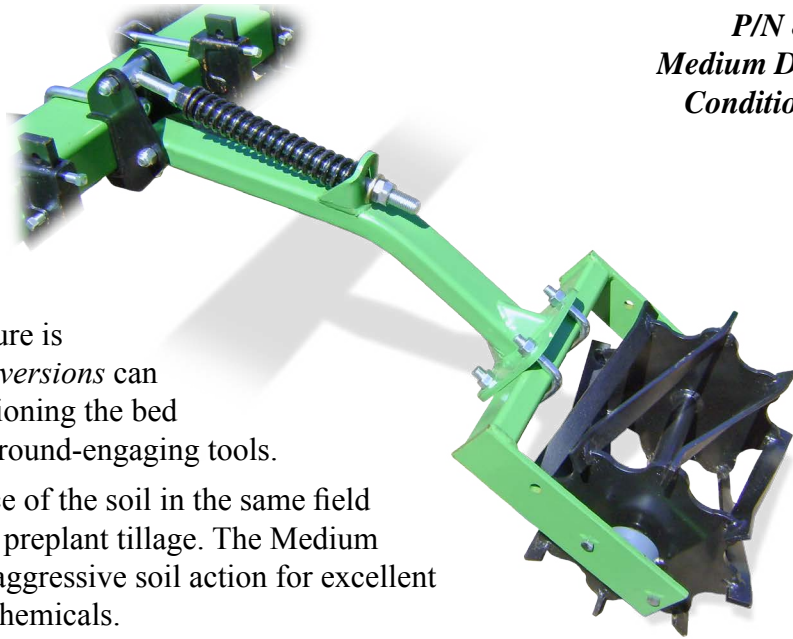
The **Bigham Medium Duty Bed Conditioner** breaks up clods and seals surface moisture in the soil to firm and condition seedbeds for planting.

The Medium Duty Bed Conditioner can replace the Standard Duty Bed Conditioner in applications where less surface pressure is required to break up clods. *Extended versions* can provide additional clearance by positioning the bed conditioner farther back from other ground-engaging tools.

This attachment conditions the surface of the soil in the same field pass with your primary, secondary or preplant tillage. The Medium Duty Bed Conditioner also provides aggressive soil action for excellent incorporation of herbicides or other chemicals.

Standard Features

- Bed Conditioners are available for several uses. The 17" width model was developed for deep tillage, strip tillage, and narrow row applications. The 21" Bed Conditioner has specific features for preplant seedbed conditioning and banding chemicals and in wider row applications.
- Spiral blades on the basket enhance aggressive soil action and smooth the soil without leaving ridges. Perfect for chemical incorporation. Spiral design is self-cleaning.
- Greasable sealed flange bearings are designed for high speed performance in harsh field conditions. Big 1-1/2" bore bearings prevent bearing trouble.
- Adjustable rod with spring adjustment gives consistent soil engagement and provides protection against rocks or other obstacles.
- Adjustable yoke allows close placement to other tooling.
- Available for many sizes of tool bars.



*P/N 886-444
Medium Duty Bed
Conditioner 17"*

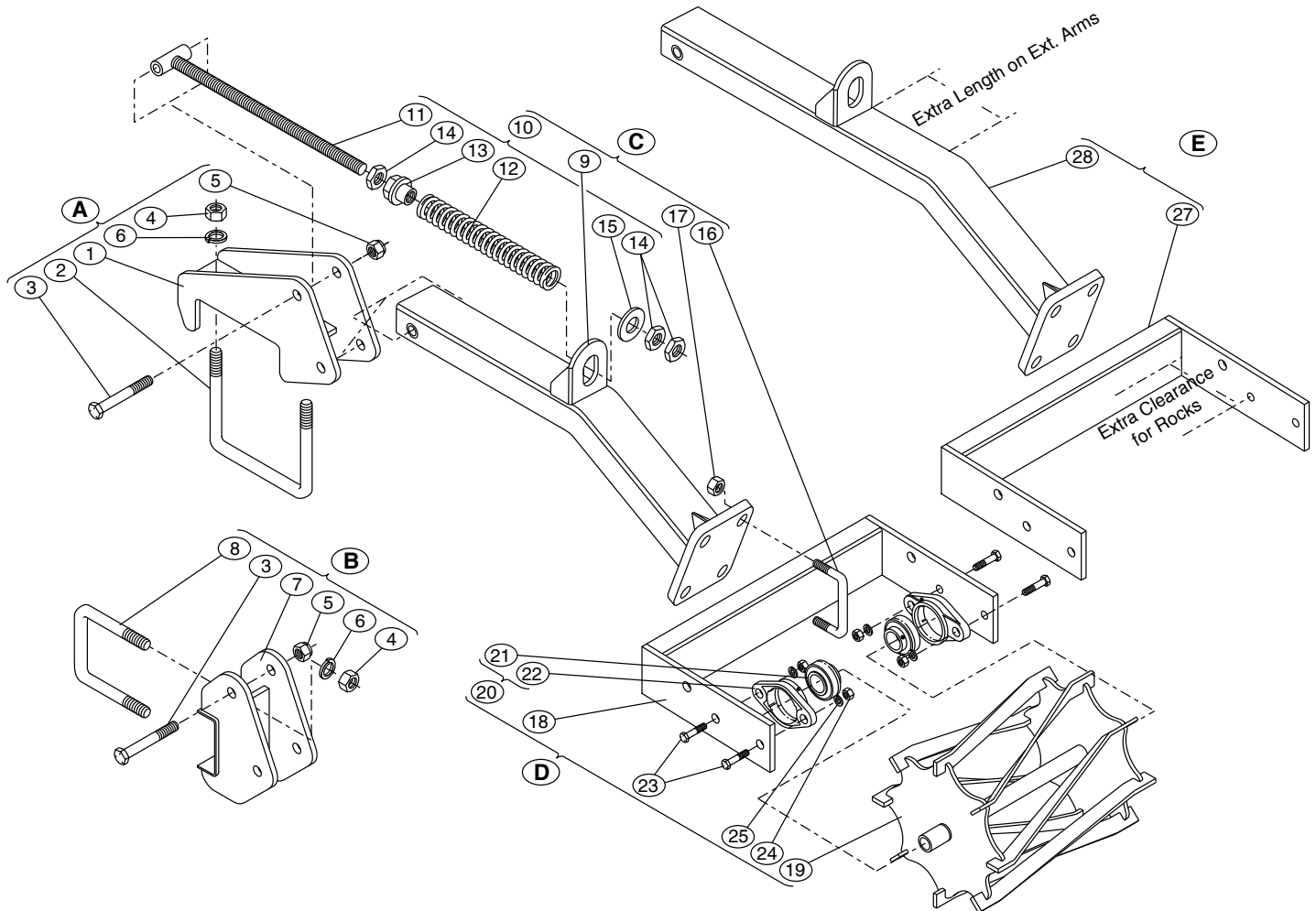
P/N	Description	Roller/Basket Width	Tool Bar Mount	Approx. Ship Wt.
885-444	Basket Assy., 4x4 Medium Duty (17")	17"	4x4"	165 Lbs.
885-445	Basket Assy., 4x4 Medium Duty (21")	21"	4x4"	185 Lbs.
885-447	Basket Assy., 4x7 Medium Duty (17")	17"	4x7"	195 Lbs.
885-448	Basket Assy., 4x7 Medium Duty (21")	21"	4x7"	200 Lbs.
885-477	Basket Assy., 7x7 Medium Duty (17")	17"	7x7"	195 Lbs.
885-478	Basket Assy., 7x7 Medium Duty (21")	21"	7x7"	215 Lbs.
Extended Length Arms				
885-443	Basket Assy., 4x4 Medium Duty (17")	17"	4x4"	175 Lbs.
885-446	Basket Assy., 4x4 Medium Duty (21")	21"	4x4"	195 Lbs.

Medium Duty Bed Conditioners Include: Mount assembly with all required hardware to fit tool bar as specified, roller arm, adjustment assembly with spring and rear basket/yoke assembly. See parts diagram for mounting bundles/rear basket assembly combinations not listed. All prices are FOB Lubbock, Texas.



Lubbock, Texas (800) 692-4449
Carlisle, Arkansas (870) 552-7517
www.BighamAg.com

Medium Duty Bed Conditioner (Parts Breakdown)



Ref#	P/N	Description	Qty. Req. Per Assy.	Ref#	P/N	Description	Qty. Req. Per Assy.
A.	805-019	Mount Assy., 7x7" Roller Bkt.		D.	785-600	Yoke & 17" Basket Assy.	
1.	705-072	Bracket, 7" Roller Mount H.C.	1	785-605	Yoke & 21" Basket Assy.		
2.	610-0047	U-Bolt, 7/8" For 7x7" GR5 ZP	1	18.	685-321	Yoke Weldment, 21" Basket	1
3.	601-1220Z	Bolt, HCS ZP 3/4 x 5"	2		685-320	Yoke Weldment, 17" Basket	1
4.	611-1401Z	Nut, Hex ZP 7/8"	2	19.	685-205	Basket Wlmt., 21" Wide/16" Dia.	1
5.	613-1200Z	Nut, Hex Nylock ZP 3/4"	2		685-200	Basket Wlmt., 17" Wide/16" Dia.	1
6.	615-1400	Washer, Lock (Plain) 3/4"	2	20.	622-084	Bearing Assy., 1-1/2" Flange	2
B.	805-014	Mount Assy., 4x4" Roller Bkt..		21.	622-087	Bearing Filler, 1-1/2" Flange	-
	805-015	Mount Assy., 4x7" Roller Bkt..		22.	622-091	Housing, 2 Hole Flange	-
7.	705-042	Bracket, 7" Roller Mount H.C.	1	23.	602-0808Z	Bolt, HCS ZP GR5 1/2 x 2"	4
8.	610-0035	U-Bolt, 7/8" For 4x4" GR5 ZP	1	24.	611-0801Z	Nut, Hex ZP 1/2"	4
	610-0039	U-Bolt, 7/8" For 4x7" GR5 ZP	1	25.	615-0800Z	Washer, Lock ZP 1/2"	4
C.	885-450	Arm/Pressure Rod Assy., Roller		E.	Arm and Yoke for Extended Length Basket		
9.	685-225	Arm Wldmt, 2x3, Med.Duty Roller	1		Replaces Respective Items in Section D.		
10.	789-006	Pressure Rod Assy., Med.Dty.Roller	-		785-600E	Yoke & 17" Basket Assy. (Ext.)	
11.	685-232	Threaded Rod w/Bushing	1		785-605E	Yoke & 21" Basket Assy. (Ext.)	
12.	633-021	Spring, Screw Jack	1	26.	685-321E	Yoke Weldment, 21" Basket	1
13.	636-877	Spring Cap, Pressure Rod Roller	1		685-320E	Yoke Weldment, 17" Basket	1
14.	614-1601Z	Nut, Hex Jam ZP 1"	3	27.	685-225 E	Arm Wldmt, 2x3, Med.Duty Roller	1
15.	616-1600Z	Washer, Flat ZP 1"	2				
16.	610-0037	U-Bolt, 3/4 For 4x2 GR5	2				
17.	611-1201Z	Nut, Hex ZP 3/4"	4				